

CAT. No.

**74520**

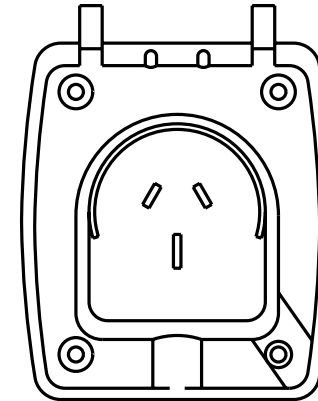
AUSTRALIAN OUTLET, WEATHERPROOF, IP 44 RATED, SCREW MOUNT, WHITE, 2 POLE 3 WIRE,  
15 AMPERE 250 VOLT, (AU2-15R)  
STANDARD: AS 3112 - 1981

APPROVALS / CERT'S.

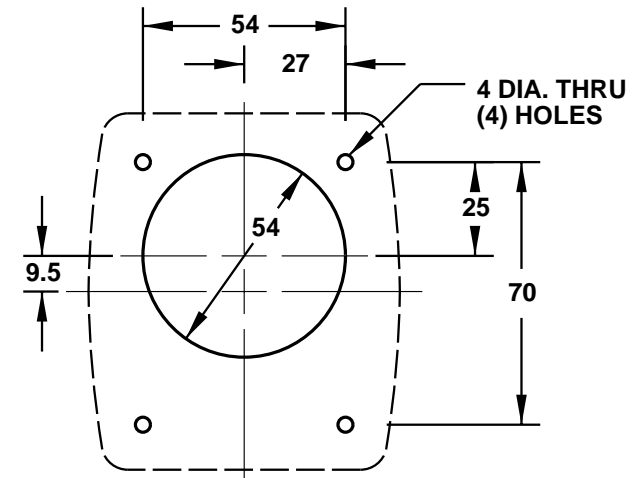
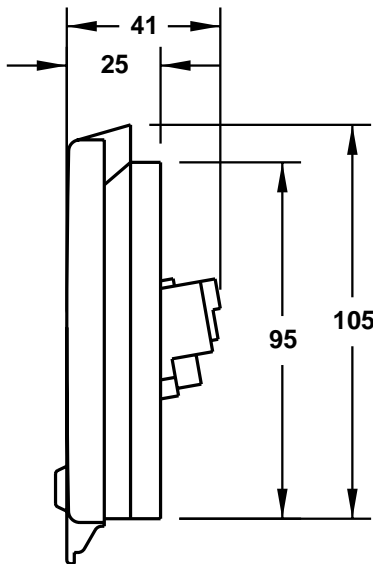
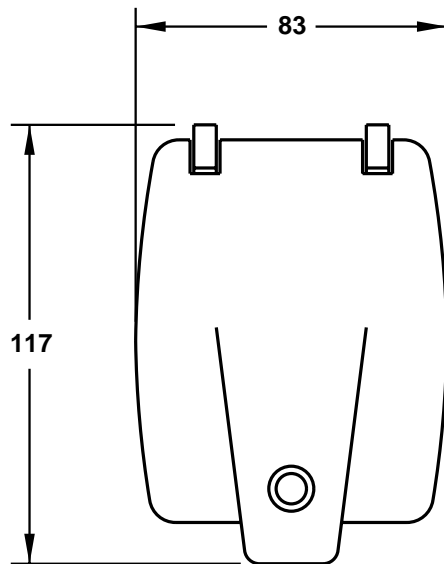
EANSW

www.InternationalConfig.com  
sales@internationalconfig.com

ALL DIMENSIONS ARE IN MILLIMETERS



NOTE: FOR CLARITY THIS VIEW IS SHOWN WITH LIFT LID REMOVED



PANEL CUTOUT