

CAT. No.
74541

AUSTRALIAN PLUG (INSULATED LINE/NEUTRAL BLADES), STRAIGHT CORD GRIP, CLEAR "SEE THROUGH",
2 POLE 3 WIRE GROUNDING, 15 AMPERE 250 VOLT, (AU 2-15P)
STANDARD: AS/NZS 3112

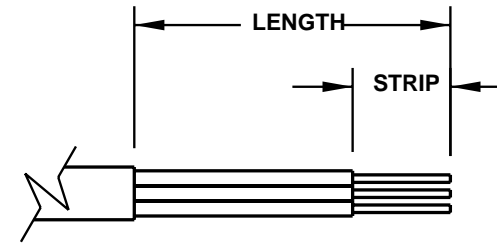
APPROVALS: DEPARTMENT OF FAIR TRADING 

ALL DIMENSIONS ARE IN MILLIMETERS

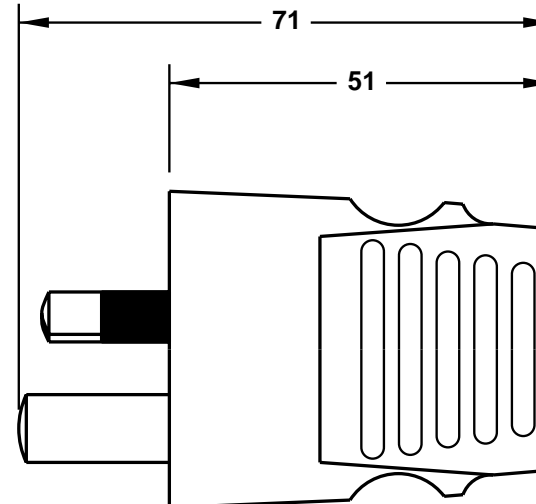
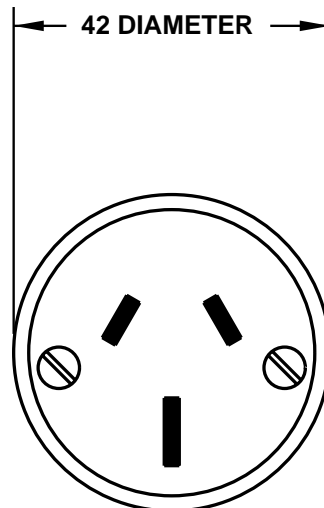
MAXIMUM JACKET O.D. ACCEPTED BY EXTERNAL STRAIN RELIEF = 11 DIA (0.433")
MAXIMUM JACKET O.D. ACCEPTED BY INTERNAL STRAIN RELIEF = 11 DIA (0.433")
MAXIMUM CONDUCTOR SIZE ACCEPTED BY TERMINALS = 2.5 (14 AWG)

CORDAGE PREPARATION

CONDUCTOR INSULATION COLOR	CONDUCTOR COLOR CODE	"LENGTH"	"STRIP"
GREEN / YELLOW	GROUND	60	9
BLUE	NEUTRAL	60	9
BROWN	LINE	60	9



CORDAGE PREPARATION



www.InternationalConfig.com
sales@internationalconfig.com