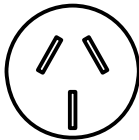



CAT. No.
74800

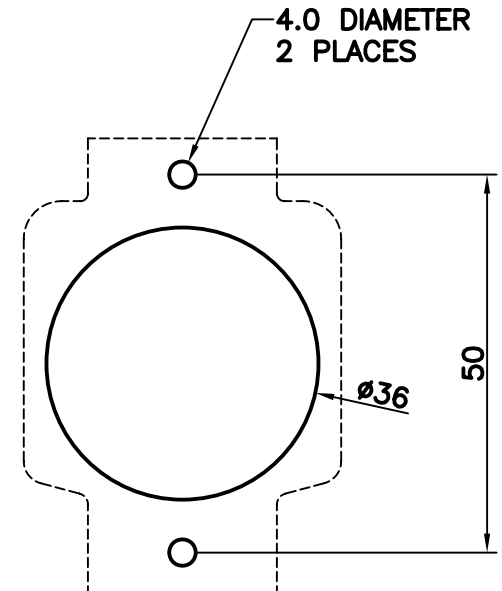
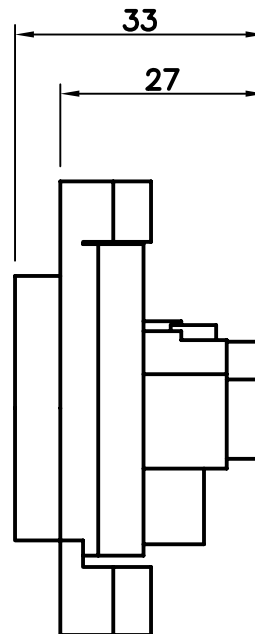
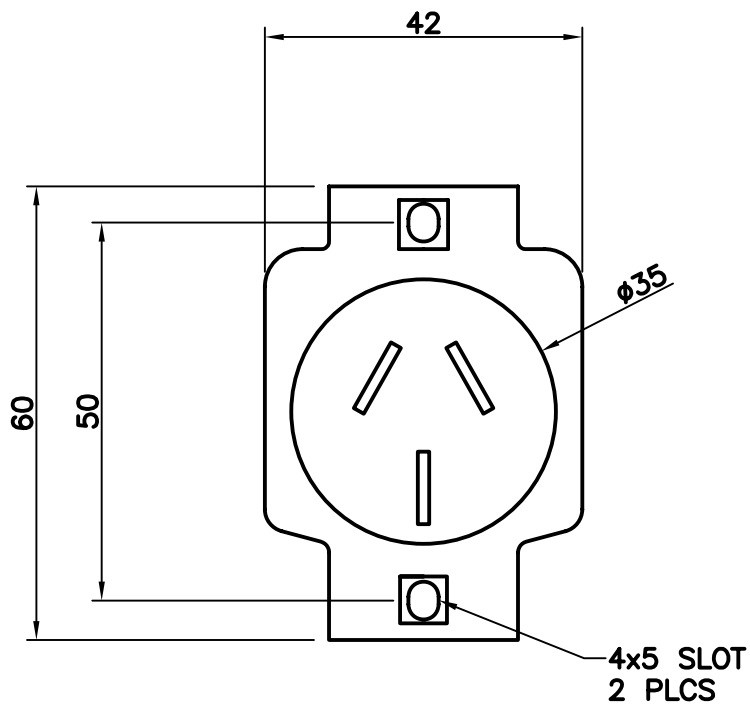
AUSTRALIAN OUTLET, SCREW MOUNTING TO PANELS, WHITE, 2 POLE 3 WIRE, 20 AMPERE 250 VOLT,
(AU3-20R)

APPROVALS	DEPT. of FAIR TRADING <input checked="" type="checkbox"/>
CERTIFICATIONS	ROHS <input checked="" type="checkbox"/>
STANDARDS	AS/NZS 3112 <input checked="" type="checkbox"/>

CONFIGURATIONS

RECEPTACLE	PLUG	20 AMPERE 250 VOLT AUSTRALIAN RECEPTACLE AND PLUG POLARIZED (AS/NZS 3112) NOTE: RECEPTACLE ALSO ACCEPTS AU1-10P (10 AMPERE 250 VOLT) AND AU2-15P (15 AMPERE 250 VOLT) PLUGS.
		
AU3-20R	AU3-20P	

ALL DIMENSIONS ARE IN MILLIMETERS



CUTOUT FOR
PANEL MOUNTING