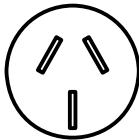



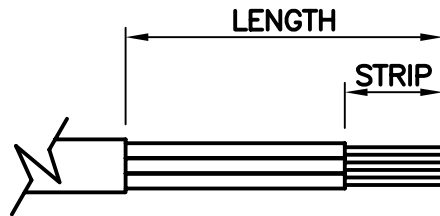
CAT. No.  
**74841**

AUSTRALIAN PLUG, STRAIGHT CORD GRIP, CLEAR "SEE THROUGH", 2 POLE 3 WIRE GROUNDING, 20 AMPERE 250 VOLT, (AU3-20P)

APPROVALS	DEPT. of FAIR TRADING <input checked="" type="checkbox"/>
CERTIFICATIONS	ROHS <input checked="" type="checkbox"/>
STANDARDS	AS/NZS 3112 <input checked="" type="checkbox"/>

**CONFIGURATIONS**

RECEPTACLE	PLUG	20 AMPERE 250 VOLT AUSTRALIAN RECEPTACLE AND PLUG POLARIZED (AS/NZS 3112) NOTE: RECEPTACLE ALSO ACCEPTS AU1-10P (10 AMPERE 250 VOLT) AND AU2-15P (15 AMPERE 250 VOLT) PLUGS.
		
AU3-20R	AU3-20P	

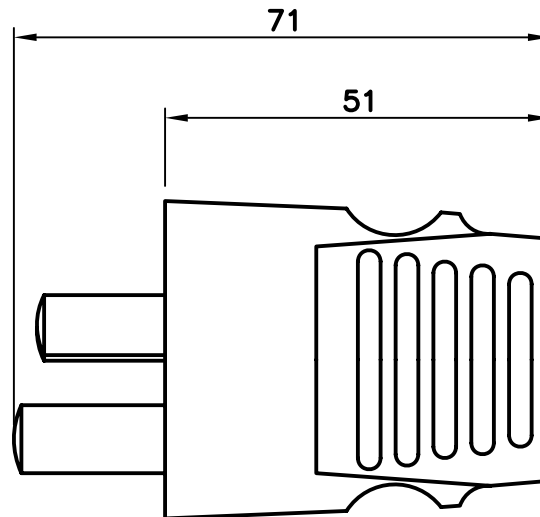
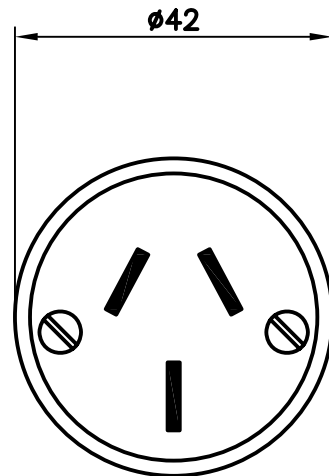


CORDAGE PREPARATION

MAXIMUM JACKET O.D. ACCEPTED BY EXTERNAL STRAIN RELIEF = 11 DIA (0.433")  
 MAXIMUM JACKET O.D. ACCEPTED BY INTERNAL STRAIN RELIEF = 11 DIA (0.433")  
 MAXIMUM CONDUCTOR SIZE ACCEPTED BY TERMINALS = 2.5 (14 AWG)

**CORDAGE PREPARATION**

CONDUCTOR INSULATION COLOR	CONDUCTOR COLOR CODE	"LENGTH"	"STRIP"
GREEN/YELLOW	GROUND	60	9
BLUE	NEUTRAL	60	9
BROWN	LINE	60	9



ALL DIMENSIONS ARE IN MILLIMETERS