

CAT. No.  
**75530**

ITALIAN PLUG, ANGLE CORD GRIP, BLACK, 2 POLE 3 WIRE, 16 AMPERE 250 VOLT, (IT2-16P).

STANDARD: CEI 23-16/VII - 1971

APPROVALS / CERT'S.

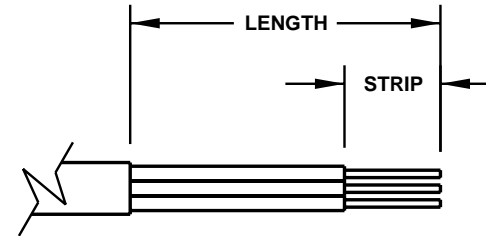
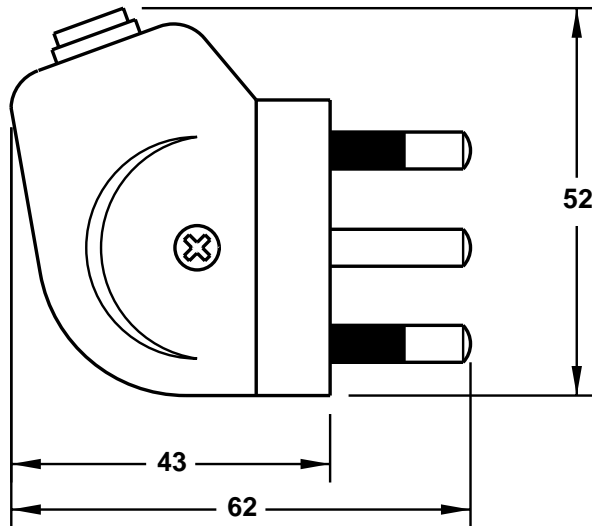
IMQ

ALL DIMENSIONS ARE IN MILLIMETERS

MAXIMUM JACKET O.D. ACCEPTED BY EXTERNAL STRAIN RELIEF = 8 DIA (0.315")  
MAXIMUM JACKET O.D. ACCEPTED BY INTERNAL STRAIN RELIEF = 8 DIA (0.315")  
MAXIMUM CONDUCTOR SIZE ACCEPTED BY TERMINALS = 4.0 (12 AWG)

**CORDAGE PREPARATION**

<u>CONDUCTOR INSULATION COLOR</u>	<u>CONDUCTOR COLOR CODE</u>	<u>"LENGTH"</u>	<u>"STRIP"</u>
GREEN / YELLOW	GROUND	35	8
BLUE	NEUTRAL	25	8
BROWN	LINE	60	8



CORDAGE PREPARATION

