

CAT. No.  
**76160**

SWISS CONNECTOR, STRAIGHT CORD GRIP, BLACK, 2 POLE 3 WIRE, 10 AMPERE 250 VOLT, (SW1-10R)

STANDARD: SEV 1011.1959

APPROVALS / CERT'S.

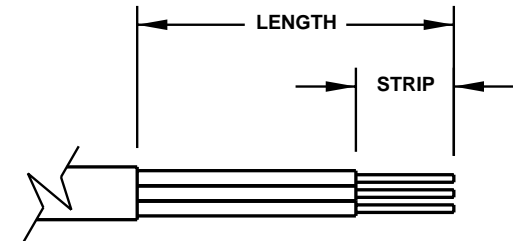
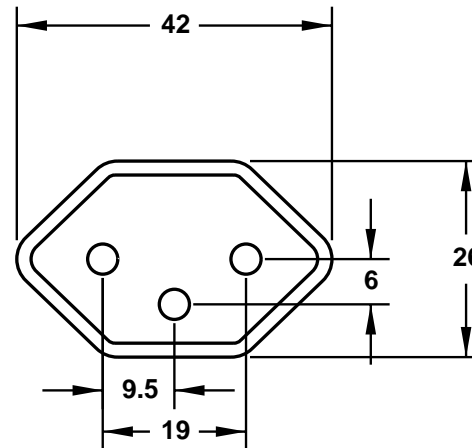
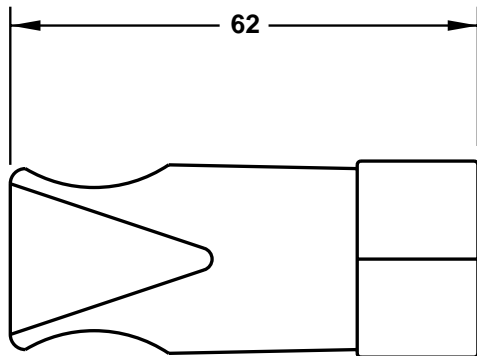
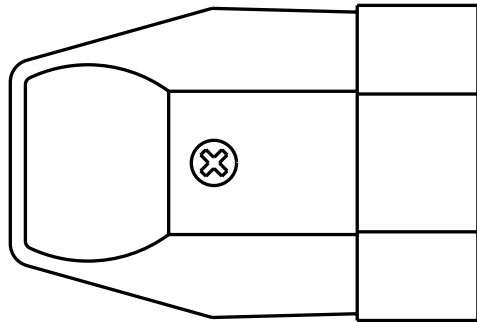
SEV

ALL DIMENSIONS ARE IN MILLIMETERS

MAXIMUM JACKET O.D. ACCEPTED BY EXTERNAL STRAIN RELIEF = 10 DIA (0.394")  
 MAXIMUM JACKET O.D. ACCEPTED BY INTERNAL STRAIN RELIEF = 10 DIA (0.394")  
 MAXIMUM CONDUCTOR SIZE ACCEPTED BY TERMINALS = 2.5 (14 AWG)

**CORDAGE PREPARATION**

CONDUCTOR INSULATION COLOR	CONDUCTOR COLOR CODE	"LENGTH"	"STRIP"
GREEN / YELLOW	GROUND	15	6
BLUE	NEUTRAL	21	6
BROWN	LINE	21	6



**CORDAGE PREPARATION**