

CAT. No.

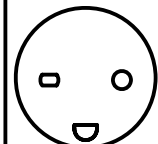
78115-HG

DANISH OUTLET, HOSPITAL GRADE, GRAY, ROUND BODY DESIGN, 2 POLE 3 WIRE, 13 AMP 250 VOLT, (DE3-13R) MOUNTS TO PANEL WITH BRACKET. BRACKET INCLUDED. IP 20, BODY THERMOPLASTIC MATERIAL. CONTACTS NICKEL PLATED BRASS.

| | |
|----------------|---|
| APPROVALS | DEMKO <input checked="" type="checkbox"/> |
| STANDARDS | AFSNIT 107-2-D1 <input checked="" type="checkbox"/> |
| CERTIFICATIONS | CE <input checked="" type="checkbox"/> ROHS <input checked="" type="checkbox"/> |

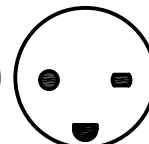
CONFIGURATIONS

RECEPTACLE



DE3-13R

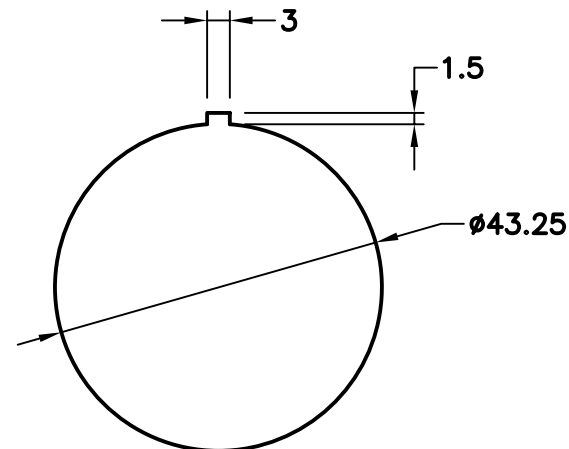
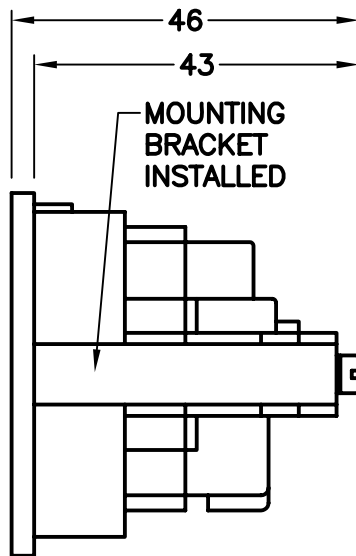
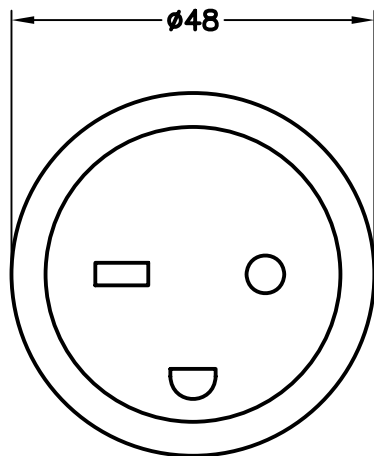
PLUG



DE3-13P

13 AMPERE 250 VOLT DANISH (HOSPITAL GRADE) RECEPTACLE AND PLUG. POLARIZED. (AFSNIT 107-2-D1)

ALL DIMENSIONS ARE IN MILLIMETERS



CUTOUT FOR PANEL MOUNTING

