

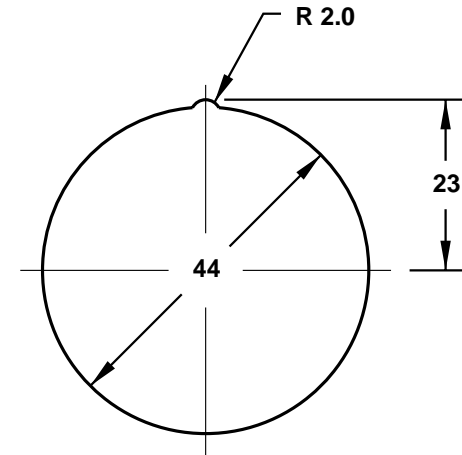
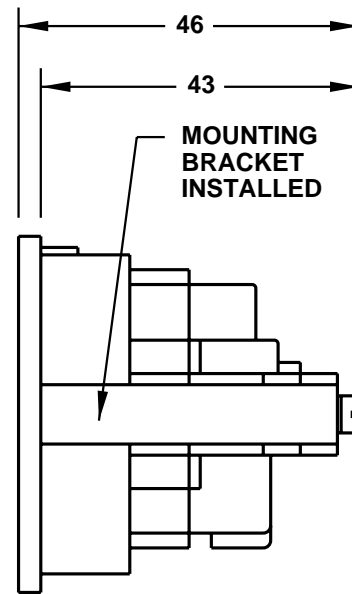
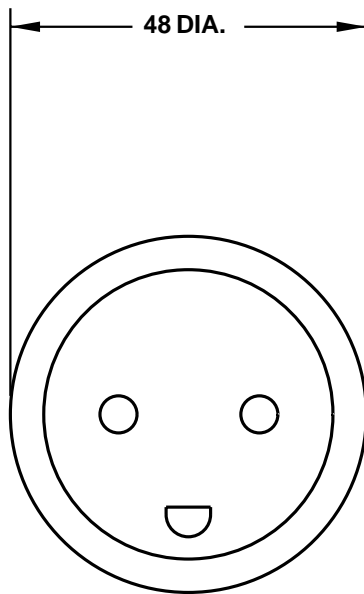
CAT. No.
78115

DANISH OUTLET, WHITE, ROUND BODY DESIGN, 2 POLE 3 WIRE, 10 AMP 250 VOLT, (DE1-10R) MOUNTS TO PANEL WITH BRACKET.
STANDARD: AFSNIT 107

APPROVALS / CERT'S.

DEMKO

ALL DIMENSIONS ARE IN MILLIMETERS



CUTOUT FOR
PANEL MOUNTING

