

CAT. No.

**78117-HG**

DANISH, DE3-13R HOSPITAL GRADE OUTLET, PANEL MOUNT, WHITE, RECTANGULAR BODY DESIGN, 2P 3W,  
13A 250V

APPROVALS

DEMKO

STANDARDS

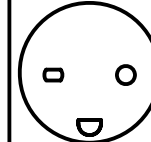
AFSNIT 107-2-D1

CERTIFICATIONS

CE  ROHS

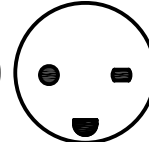
**CONFIGURATIONS**

RECEPTACLE



DE3-13R

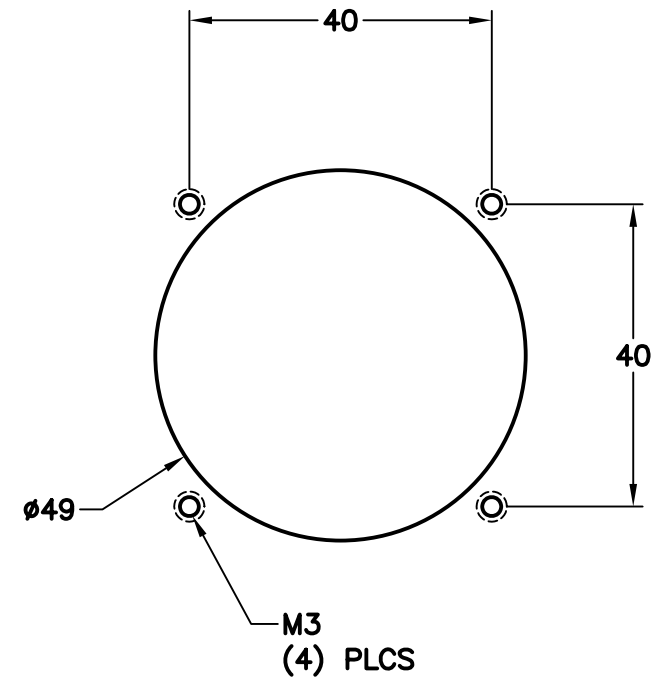
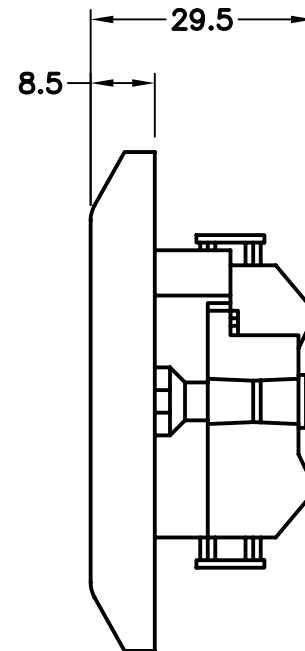
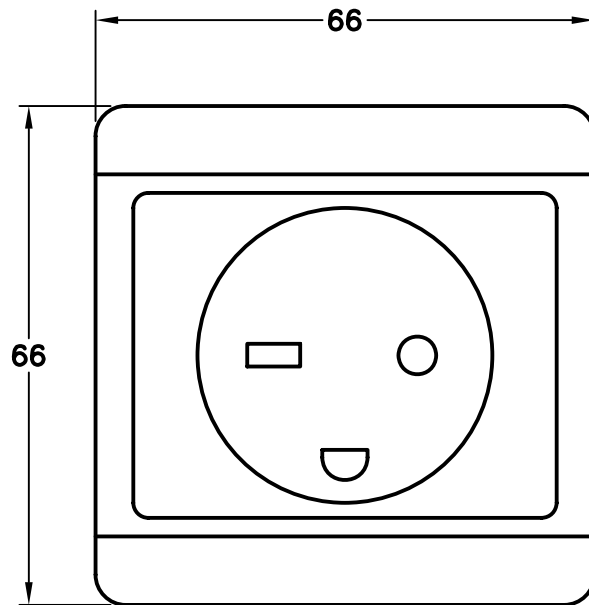
PLUG



DE3-13P

13 AMPERE 250 VOLT DANISH  
(HOSPITAL GRADE) RECEPTACLE AND  
PLUG.  
POLARIZED.  
(AFSNIT 107-2-D1)

ALL DIMENSIONS ARE IN MILLIMETERS



**CUTOUT FOR  
PANEL MOUNTING**