

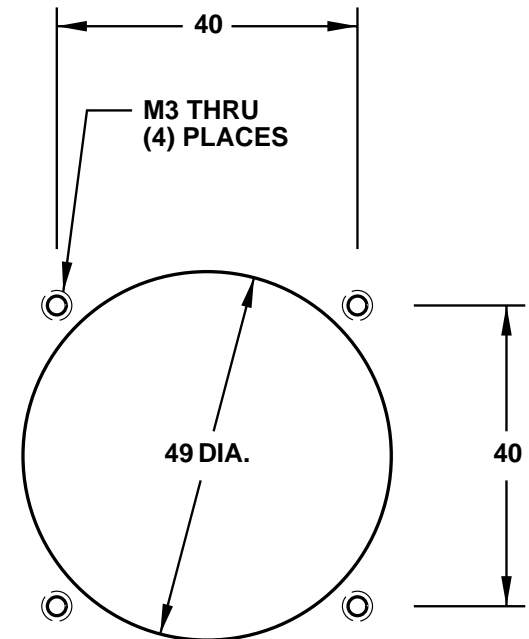
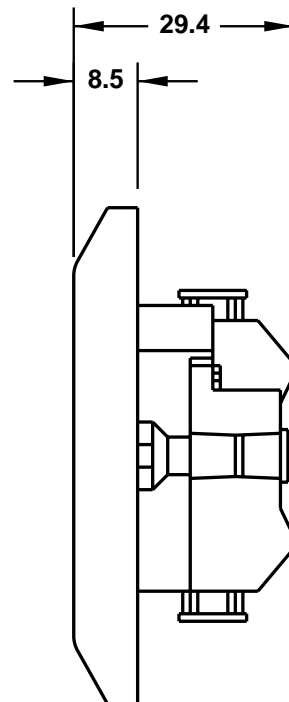
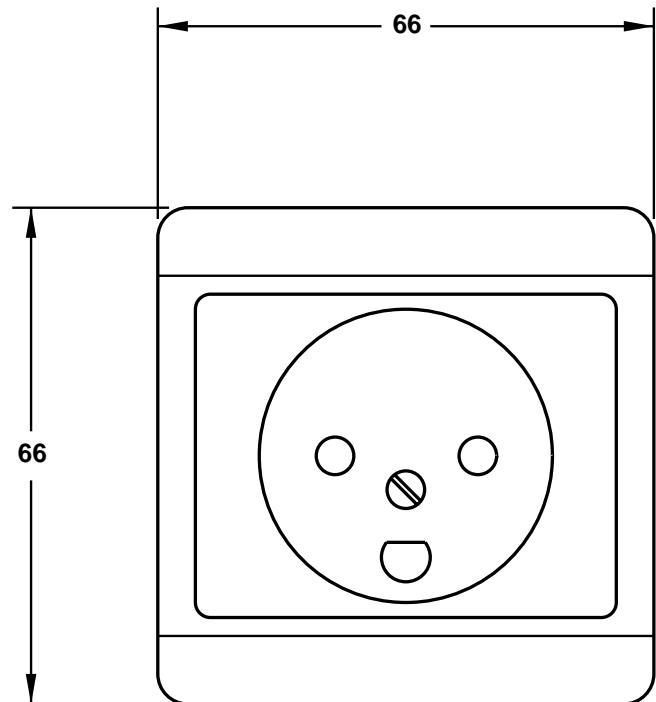
CAT. No.
78117

DANISH OUTLET, SCREW MOUNT TO PANEL, WHITE, RECTANGULAR BODY DESIGN, 2 POLE 3 WIRE,
13 AMP 250 VOLT, (DE1-13R)
STANDARD: AFSNIT 107

APPROVALS / CERT'S.

DEMKO

ALL DIMENSIONS ARE IN MILLIMETERS



**CUTOUT FOR
PANEL MOUNTING**

www.InternationalConfig.com
sales@internationalconfig.com