

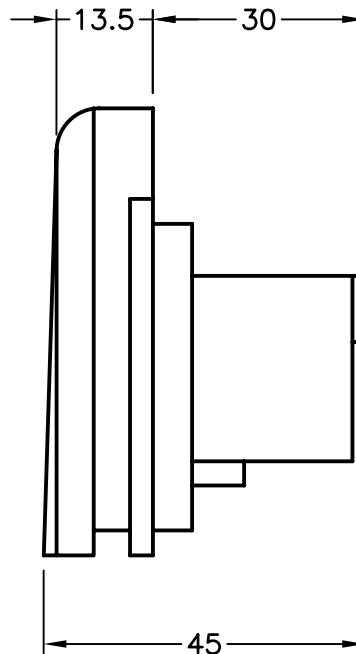
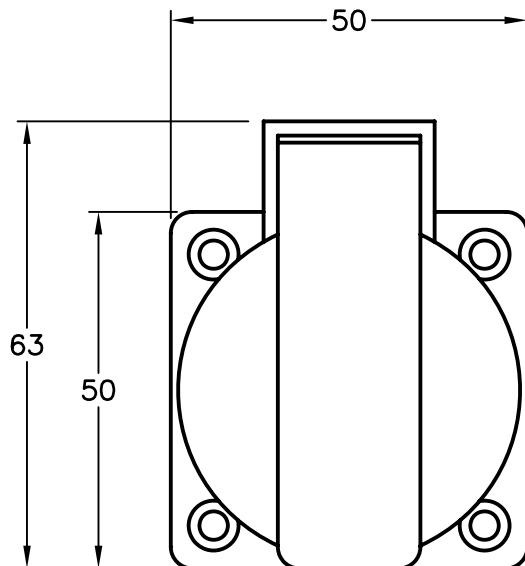
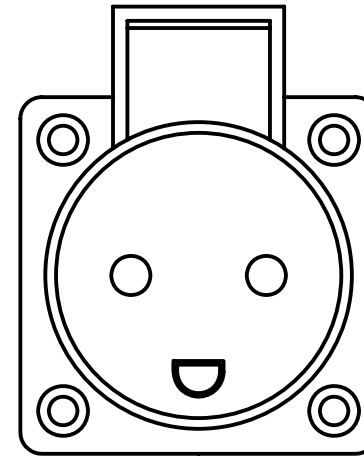
CAT. No.

78120

DANISH PANEL MOUNT WATERPROOF OUTLET, (IP 44 RATED), SCREW MOUNTING TYPE, BLACK, 2P 3W, 13A-250V, (DE1-13R)

APPROVALS	DEMKO <input checked="" type="checkbox"/>
CERTIFICATIONS	ROHS <input checked="" type="checkbox"/>
STANDARDS	AFSNIT 107-2-D1 <input checked="" type="checkbox"/>

ALL DIMENSIONS ARE IN MILLIMETERS



NOTE: FOR CLARITY THIS VIEW IS SHOWN WITH LIFT LID REMOVED

