

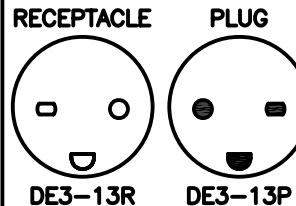
CAT. No.

78130-HG

DANISH, DE3-13P HOSPITAL GRADE PLUG, ANGLE CORD GRIP, WHITE, 2P 3W, 13A 250V

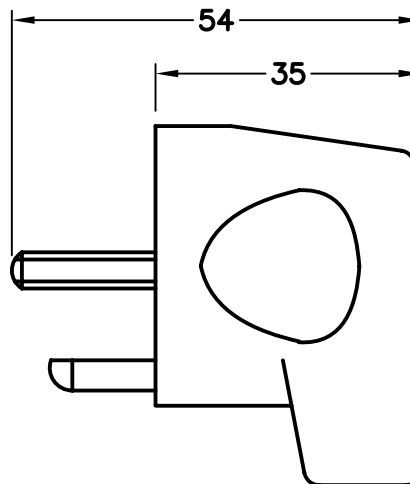
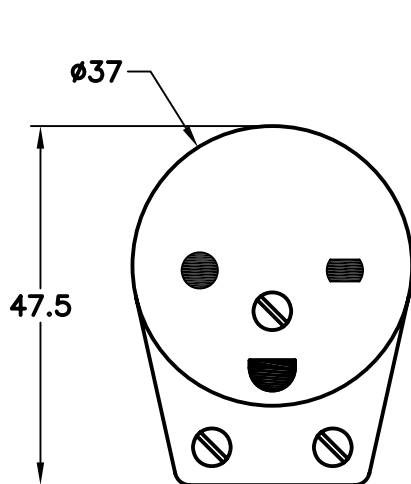
| | |
|----------------|---|
| APPROVALS | DEMKO <input checked="" type="checkbox"/> |
| STANDARDS | AFSNIT 107-2-D1 <input checked="" type="checkbox"/> |
| CERTIFICATIONS | CE <input checked="" type="checkbox"/> ROHS <input checked="" type="checkbox"/> |

CONFIGURATIONS



13 AMPERE 250 VOLT DANISH (HOSPITAL GRADE) RECEPTACLE AND PLUG. POLARIZED. (AFSNIT 107-2-D1)

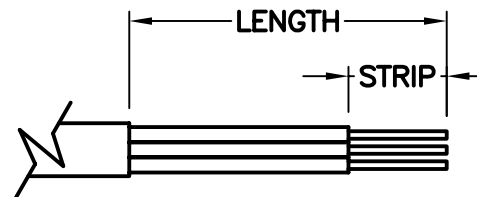
ALL DIMENSIONS ARE IN MILLIMETERS



MAXIMUM JACKET O.D. ACCEPTED BY EXTERNAL STRAIN RELIEF = 10 DIA (0.394")
 MAXIMUM JACKET O.D. ACCEPTED BY INTERNAL STRAIN RELIEF = 8 DIA (0.315")
 MAXIMUM CONDUCTOR SIZE ACCEPTED BY TERMINALS = 4.0 (12 AWG)

CORDAGE PREPARATION

| CONDUCTOR INSULATION COLOR | CONDUCTOR COLOR CODE | "LENGTH" | "STRIP" |
|----------------------------|----------------------|----------|---------|
| GREEN/YELLOW | GROUND | 22 | 6 |
| BLUE | NEUTRAL | 35 | 6 |
| BROWN | LINE | 35 | 6 |



CORDAGE PREPARATION

International Configurations, Inc. P.O. Box 3374 Enfield, Connecticut 06083 TEL (860)749-6380 FAX (860)749-2985

www.InternationalConfig.com

sales@internationalconfig.com