

CAT. No.  
**78230**

DANISH DATA (EDP) PLUG, ANGLE CORD GRIP, WHITE, 2 POLE 3 WIRE, 13 AMPERE 250 VOLT,  
STANDARD: AFSNIT 107

APPROVALS / CERT'S.

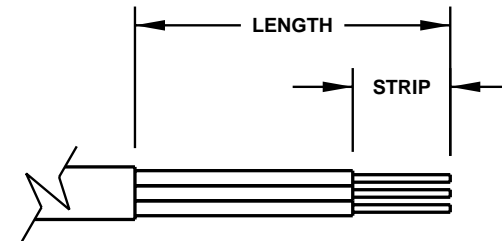
DEMKO

**ALL DIMENSIONS ARE IN MILLIMETERS**

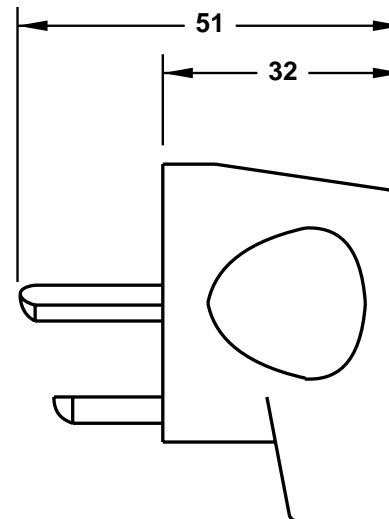
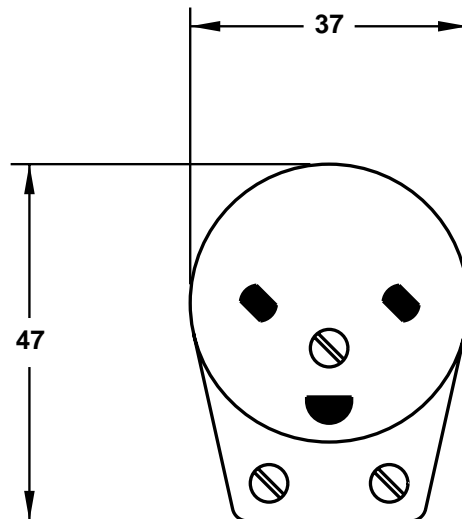
MAXIMUM JACKET O.D. ACCEPTED BY EXTERNAL STRAIN RELIEF = 10 DIA (0.394")  
MAXIMUM JACKET O.D. ACCEPTED BY INTERNAL STRAIN RELIEF = 10 DIA (0.394")  
MAXIMUM CONDUCTOR SIZE ACCEPTED BY TERMINALS = 2.5 (14 AWG)

**CORDAGE PREPARATION**

<u>CONDUCTOR INSULATION COLOR</u>	<u>CONDUCTOR COLOR CODE</u>	<u>"LENGTH"</u>	<u>"STRIP"</u>
GREEN / YELLOW	GROUND	22	6
BLUE	NEUTRAL	35	6
BROWN	LINE	35	6



**CORDAGE PREPARATION**



[www.InternationalConfig.com](http://www.InternationalConfig.com)  
[sales@internationalconfig.com](mailto:sales@internationalconfig.com)