

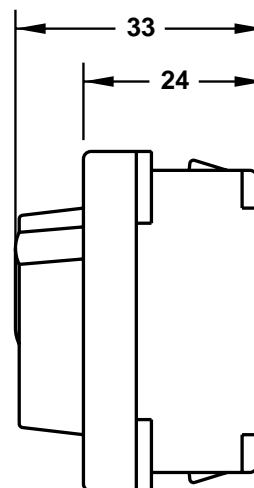
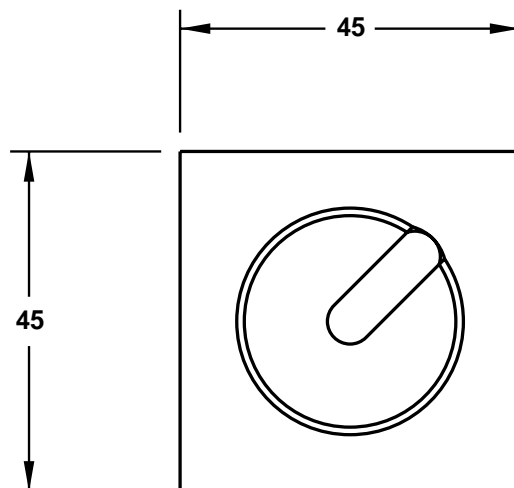
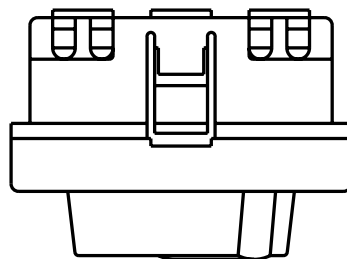
CAT. No.  
**79550 x 45**

DIMMER, 45 x 45 mm SNAP-IN MOUNTING SIZE, WHITE, 230 VOLTS, 50/60 HERTZ, ON/OFF SWITCH,  
60 WATT (MINIMUM) - 500 WATT (MAXIMUM)

**ALL DIMENSIONS ARE IN MILLIMETERS**

**NOTES:**

1. USE ONLY WITH INCANDESCENT LAMPS OR 230 VOLT HALOGEN LAMPS.
2. DO NOT USE WITH BALLAST, FLOURESCENT LAMPS OR POWER TOOLS.



[www.InternationalConfig.com](http://www.InternationalConfig.com)  
[sales@internationalconfig.com](mailto:sales@internationalconfig.com)