

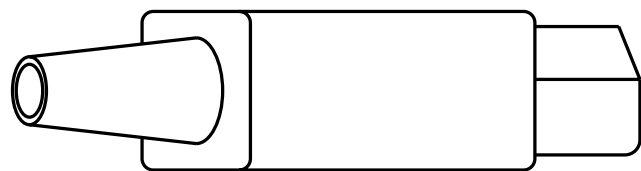
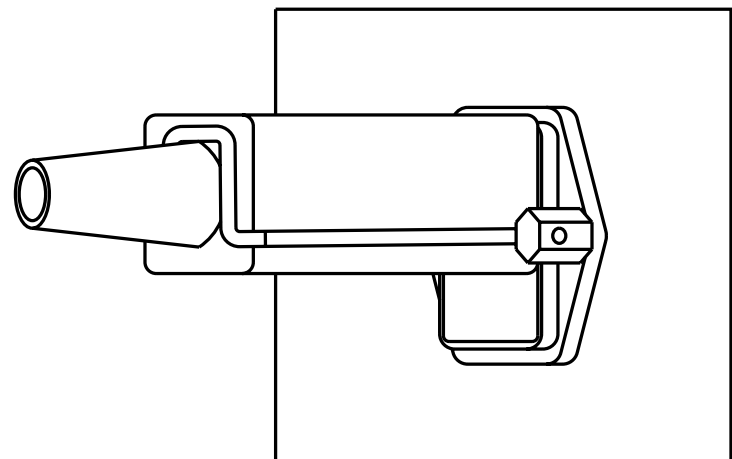
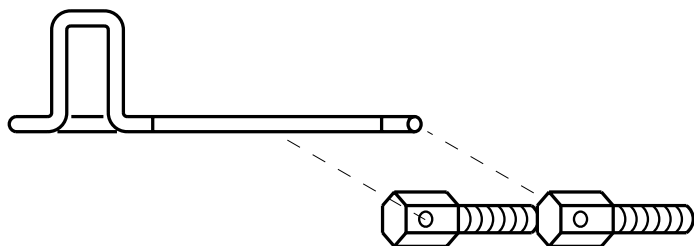
CAT. No.  
**81152**

SWIVEL TYPE BALE FOR RETAINING IEC 60320 (320) C-13 AND C-15 CONNECTORS CATALOG NUMBERS  
57050-NS, 57050-NSL, 57055-NS, 57055-NSL

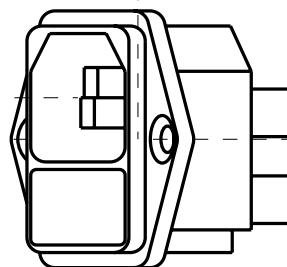
**NOTE:**

1. BALE SECURES ABOVE APPLIANCE CONNECTORS TO BOLT IN TYPE INLETS  
CATALOGNUMBERS 57211, 57213, 57215, 57510 AND 57520

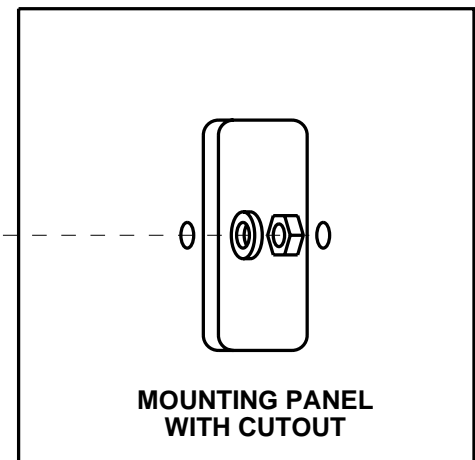
LOCKING BALE COMPLETE WITH (2) MOUNTING  
STUDS,(2)WASHERS AND (2)HEX NUTS



IEC 60320 (320) C-13/ C-15 CONNECTOR



IEC 60320 (320) C-14  
POWER INLET



MOUNTING PANEL  
WITH CUTOUT