

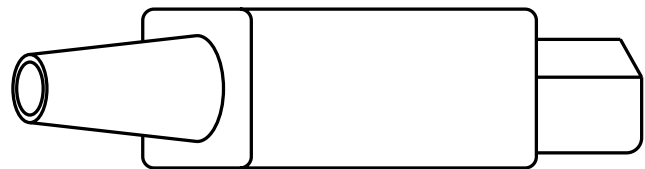
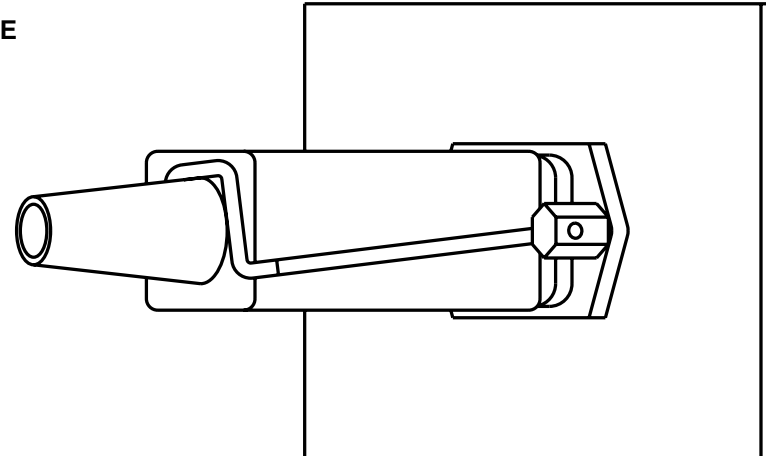
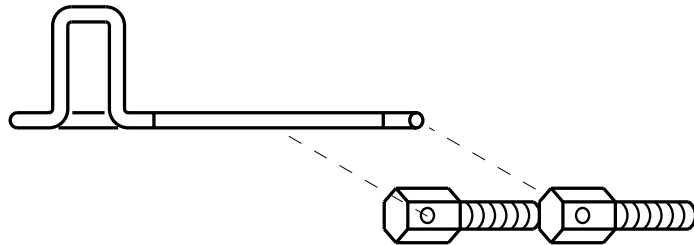
CAT. No.  
**81153**

SWIVEL TYPE BALE FOR RETAINING IEC 60320 (320) C-13 AND C-15 CONNECTORS CATALOG NUMBERS  
57050-NS, 57050-NSL, 57055-NS, 57055-NSL

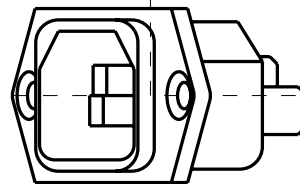
**NOTE:**

1. BALE SECURES ABOVE APPLIANCE CONNECTORS TO BOLT IN TYPE  
INLETS CATALOG NUMBERS 57011, 57013, 57015, 57021, 57023, 57025

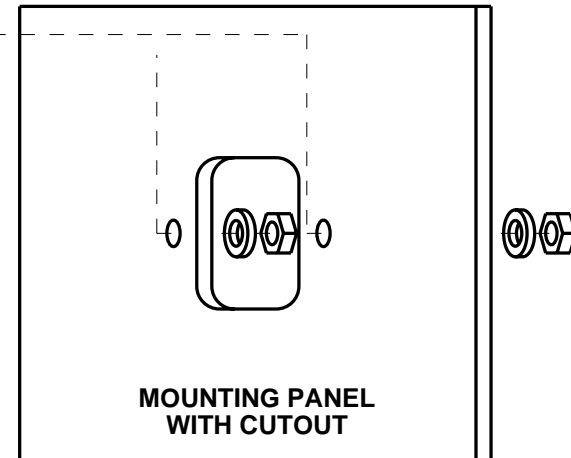
LOCKING BALE COMPLETE WITH (2) MOUNTING  
STUDS, (2) WASHERS AND (2) HEX NUTS



IEC 60320 (320) C-13/ C-15 CONNECTOR



IEC 60320 (320) C-14  
POWER INLET



MOUNTING PANEL  
WITH CUTOUT