

CAT. No.

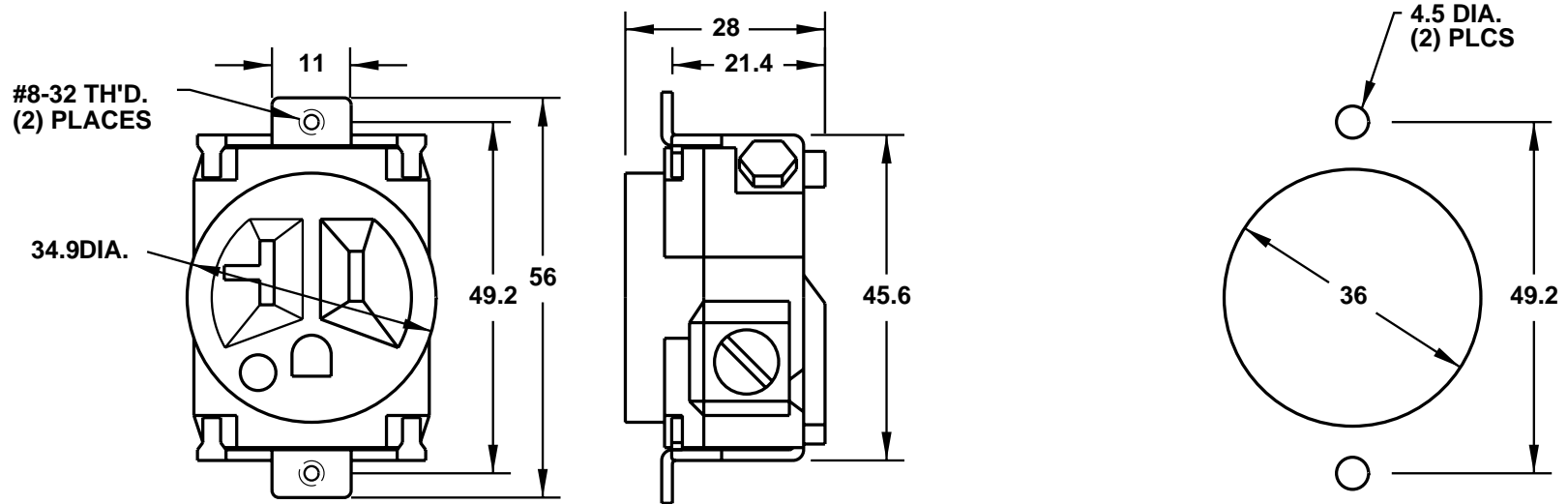
8384-I

NEMA 5-20R SINGLE RECEPTACLE, IVORY, BACK AND SIDE WIRED, HOSPITAL GRADE, PANEL MOUNT,
2 POLE 3 WIRE GROUNDING, 20 AMPERE 125 VOLT

APPROVALS / CERT'S.

UL

ALL DIMENSIONS ARE IN MILLIMETERS



CUTOUT FOR
PANEL MOUNTING