

CAT. No.

888-1216

IEC 60309 SPLASHPROOF (IP44) ANGLE OUTLET, PANEL MOUNT, 4H, YELLOW COLOR, 20 AMPERE-125 VOLT, (UL / CSA) CE MARK, 2P+E.

APPROVALS

CSA  UL

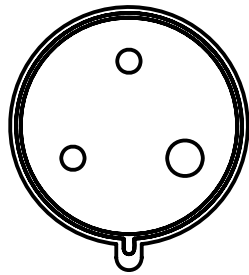
CERTIFICATIONS

CE  ROHS

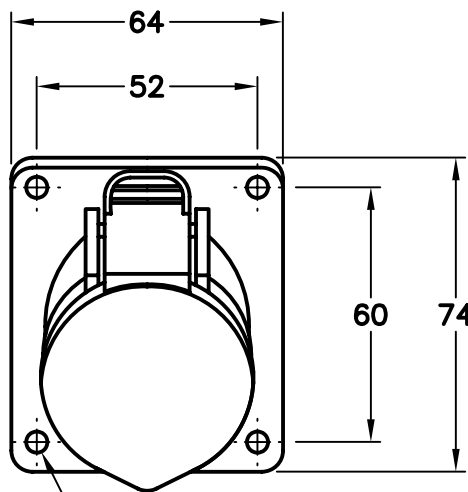
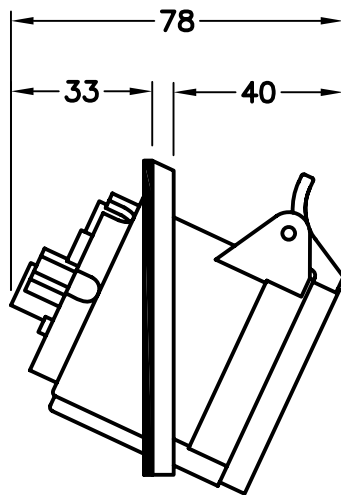
STANDARDS

IEC 60309

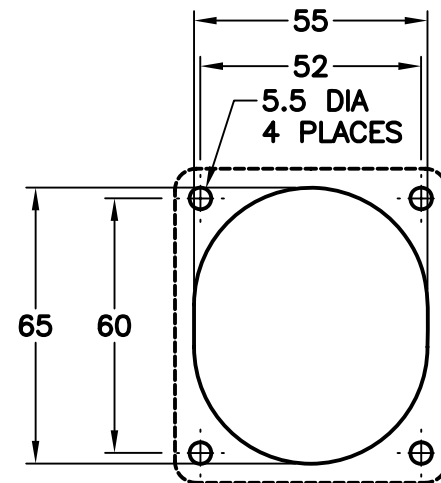
ALL DIMENSIONS ARE IN MILLIMETERS



IEC 60309. 4H



5.1 DIA.  
(4) HOLES



PANEL CUTOUT