

CAT. No.  
**888-1217**

IEC 309 CEE 17 OUTLET, PANEL MOUNT, BLUE, 20 AMPERE 250 VOLT (UL / CSA);  
16 AMPERE 220 / 240 V OLT (EUROPEAN), 50 / 60HZ , 2 POLE + EARTH  
STANDARDS: IEC 309-1, IEC 304-2, BS 4343, DIN 49462/63, VDE 0623, CEE 17, EN 60309

APPROVALS / CERT'S.

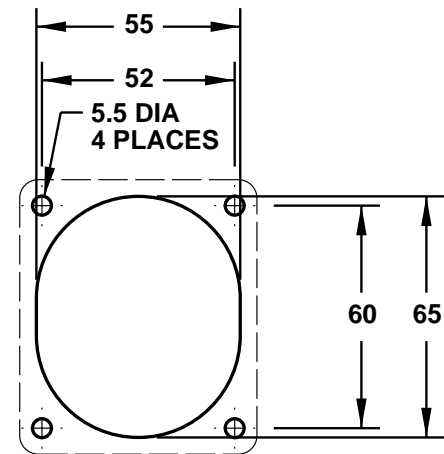
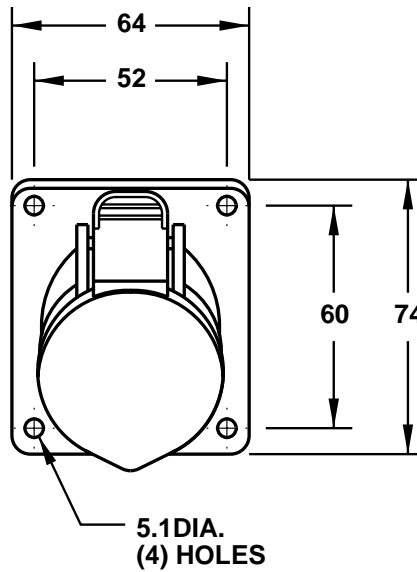
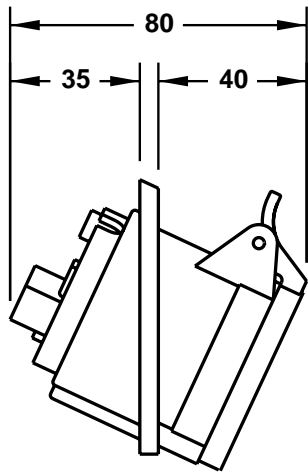
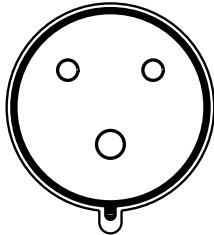
CSA

SEMKO

UL

VDE

ALL DIMENSIONS ARE IN MILLIMETERS



PANEL CUTOUT