

CAT. No.

888-1228

IEC 60309 SPLASHPROOF (IP44) ANGLE OUTLET, PANEL MOUNT, 4H, YELLOW COLOR, 30 AMPERE-125 VOLT, (UL/CSA) CE MARK, 2P+E.

APPROVALS

CSA UL

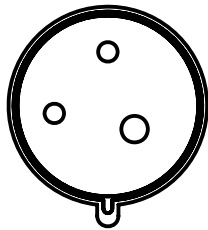
CERTIFICATIONS

CE ROHS

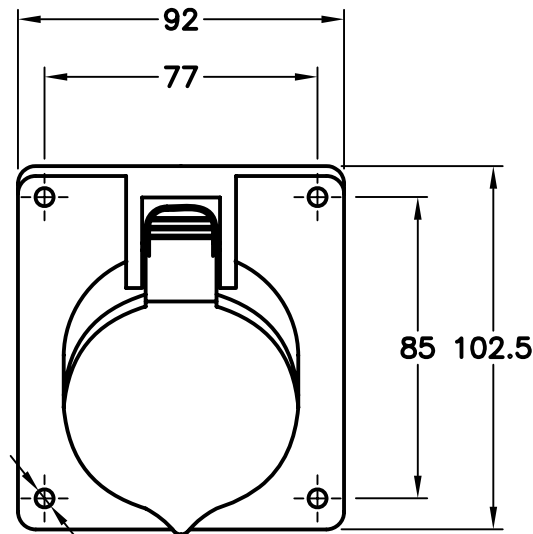
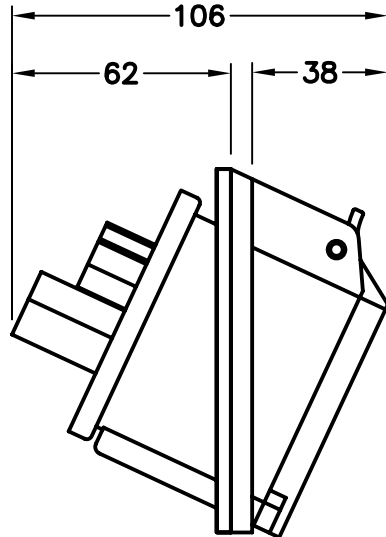
STANDARDS

IEC 60309

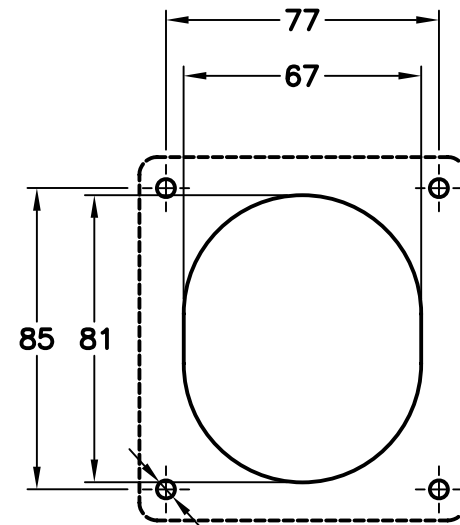
ALL DIMENSIONS ARE IN MILLIMETERS



IEC 60309. 4H



Ø5.1 (4) PLACES



Ø5.5 (4) PLACES

PANEL CUTOUT