

CAT. No.
888-1229

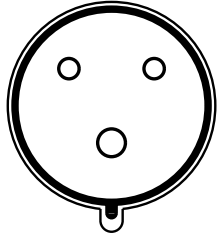
IEC 309 CEE 17 OUTLET, PANEL MOUNT, ANGLE TYPE, BLUE, 30 AMPERE 250 VOLT (UL / CSA);
32 AMPERE 220 / 240V (EUROPEAN), 50 / 60 HZ, 2 POLE + EARTH
STANDARDS: IEC 309-1, IEC 304-2, BS 4343, DIN 49462/63, VDE 0623, CEE 17, EN 60309

APPROVALS / CERT'S.

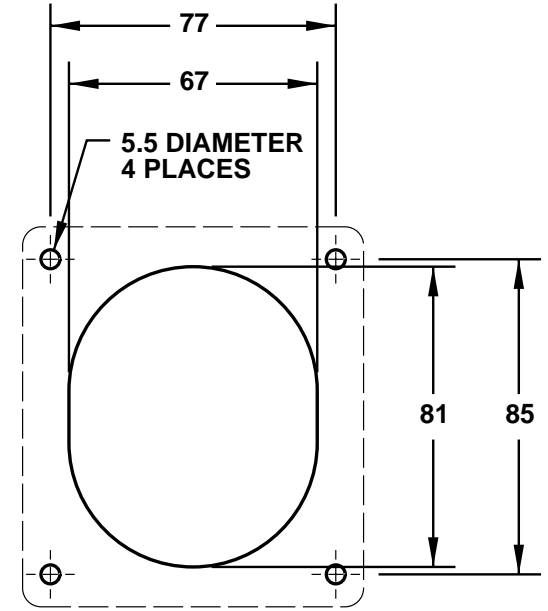
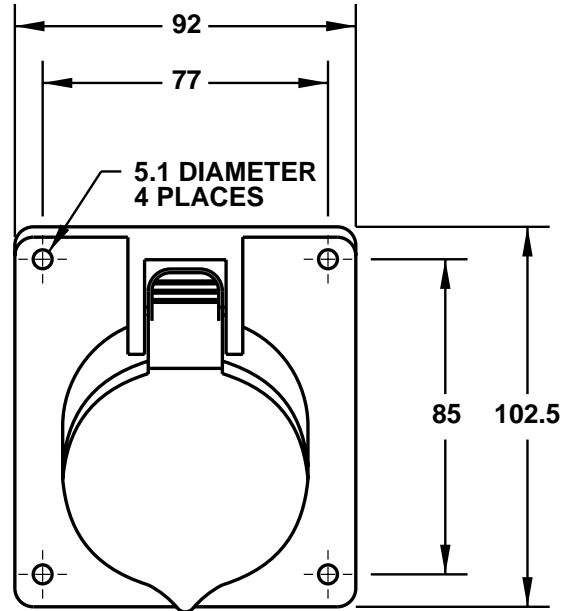
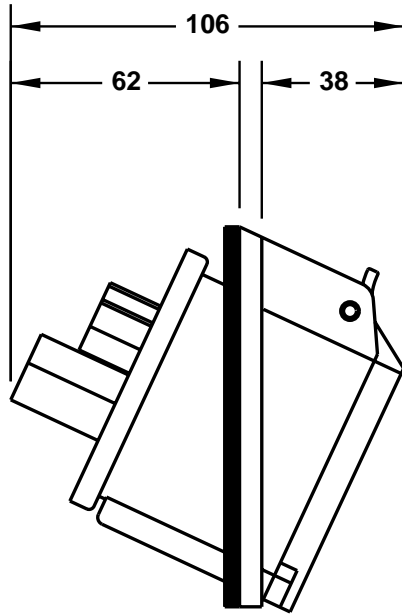
CSA

UL

VDE



ALL DIMENSIONS ARE IN MILLIMETERS



PANEL CUTOUT