

CAT. No.
888-129

IEC 309 CEE 17 ANGLED OUTLET, WATERTIGHT, RED (4 POLE-5WIRE), 60 AMPERE 250 VOLT (UL/CSA);
63 AMPERE, 6h-230-400 VOLT (EUROPEAN), 50/60HZ, 3 POLE + NEUTRAL + EARTH
STANDARDS: IEC 309-1, IEC 304-2, BS 4343, DIN 49462/63, VDE 0623, CEE 17, EN 60309

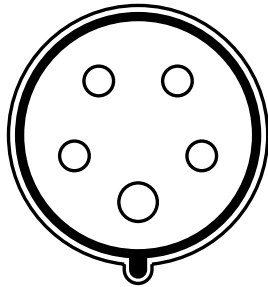
APPROVALS / CERT'S.

CSA

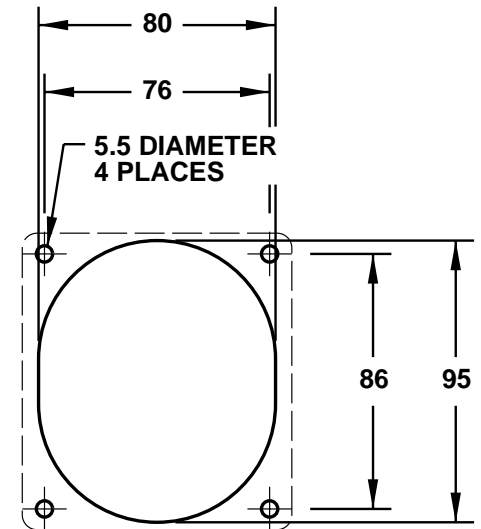
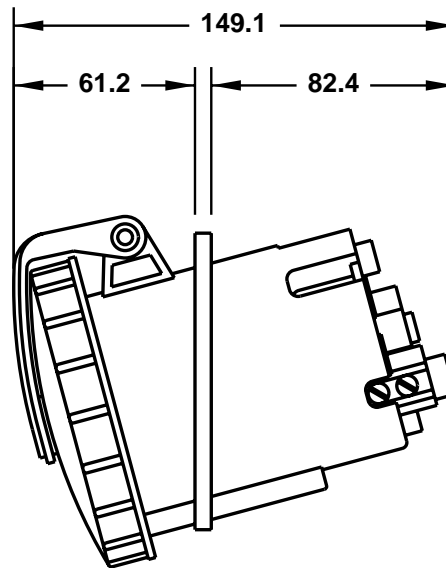
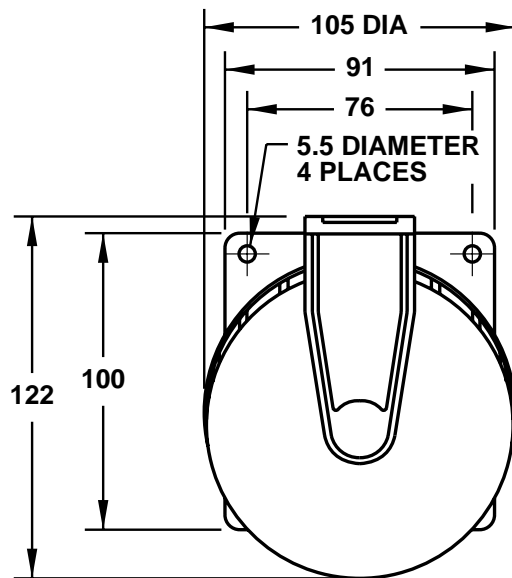
UL CLASSIFIED

VDE

ALL DIMENSIONS ARE IN MILLIMETERS



OUTLET CONFIGURATION



PANEL CUTOUT