

CAT. No.  
**888-13007**

IEC 309 CEE 17 STRAIGHT OUTLET, PANEL MOUNT TYPE, BLUE, 30 AMPERE 250 VOLT (UL / CSA);  
32 AMPERE 220 / 240 VOLT (EUROPEAN), 50 / 60 HZ, 2 POLE + EARTH  
STANDARDS: IEC 309-1, IEC 304-2, BS 4343, DIN 49462/63, VDE 0623, CEE 17, EN 60309

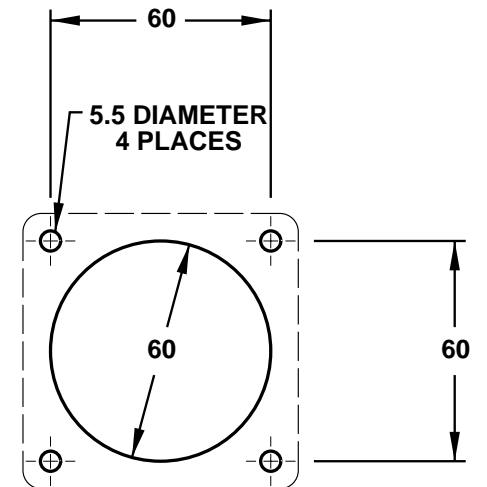
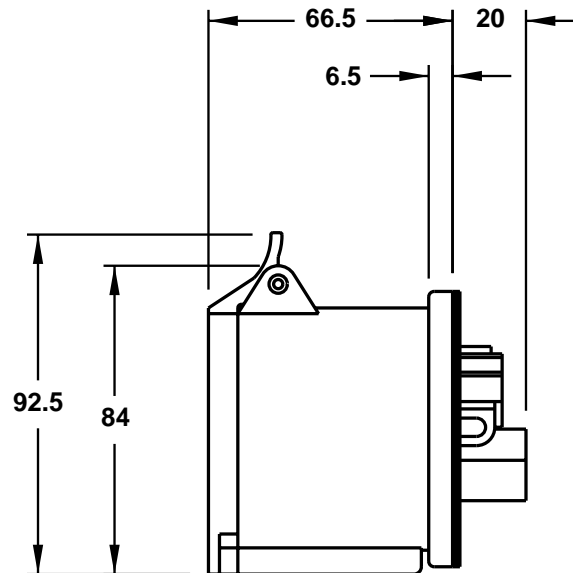
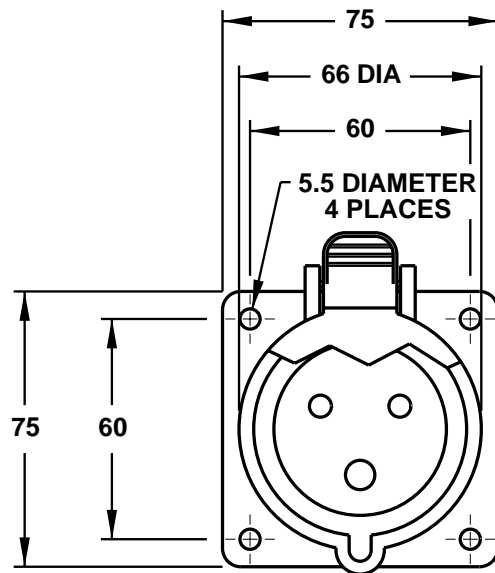
APPROVALS / CERT'S.

CSA

CZCH

UL

**ALL DIMENSIONS ARE IN MILLIMETERS**



**NOTE: FOR CLARITY THIS VIEW IS  
SHOWN WITH LIFT LID BROKEN**

**PANEL CUTOUT**