

CAT. No.

888-2138

IEC 309 CEE 17 PLUG WITH COMPRESSION TYPE STRAIN RELIEF, BLUE, 30 AMPERE 250 VOLT (UL / CSA),
32 AMPERE 220 / 240 VOLT (EUROPEAN), 50 / 60 HZ, 2 POLE + EARTH
STANDARDS: IEC 309-1, IEC 304-2, BS 4343, DIN 49462/63, VDE 0623, CEE 17, EN 60309

APPROVALS / CERT'S.

CSA

UL

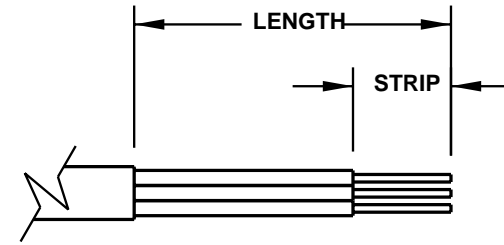
VDE

ALL DIMENSIONS ARE IN MILLIMETERS

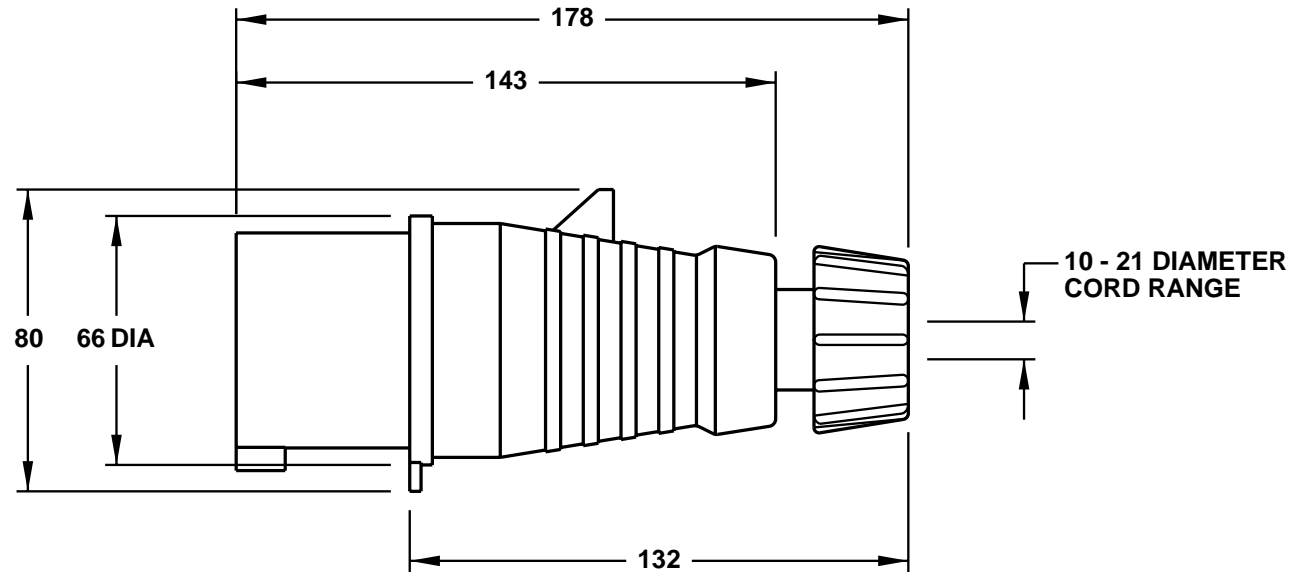
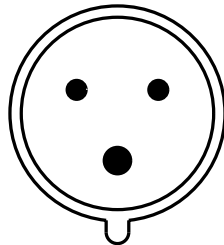
MAXIMUM JACKET O.D. ACCEPTED BY EXTERNAL STRAIN RELIEF = 21 DIA (0.827")
MAXIMUM JACKET O.D. ACCEPTED BY INTERNAL STRAIN RELIEF = 21 DIA (0.827")
MAXIMUM CONDUCTOR SIZE ACCEPTED BY TERMINALS = 10.0 (8 AWG)

CORDAGE PREPARATION

CONDUCTOR INSULATION COLOR	CONDUCTOR COLOR CODE	"LENGTH"	"STRIP"
GREEN / YELLOW	GROUND	40	10
BLUE	NEUTRAL	50	10
BROWN	LINE	50	10



CORDAGE PREPARATION



www.InternationalConfig.com
sales@internationalconfig.com