

CAT. No.
888-2199

IEC 309 CEE 17 PLUG, WATERTIGHT, RED (4 POLE-5 WIRE), 100 AMPERE 250 VOLT (UL-CSA);
125 AMPERE, 6h-230-400 VOLT (EUROPEAN), 50/60HZ , 3 POLE + NEUTRAL + EARTH
STANDARDS: IEC 309-1, IEC 304-2, BS 4343, DIN 49462/63, VDE 0623, CEE 17, EN 60309

APPROVALS / CERT'S.

CSA

UL CLASSIFIED

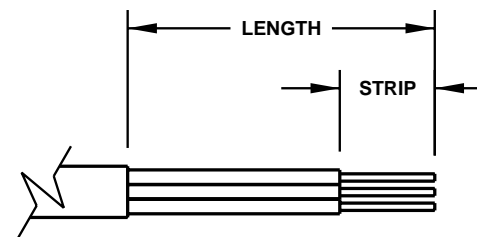
VDE

ALL DIMENSIONS ARE IN MILLIMETERS

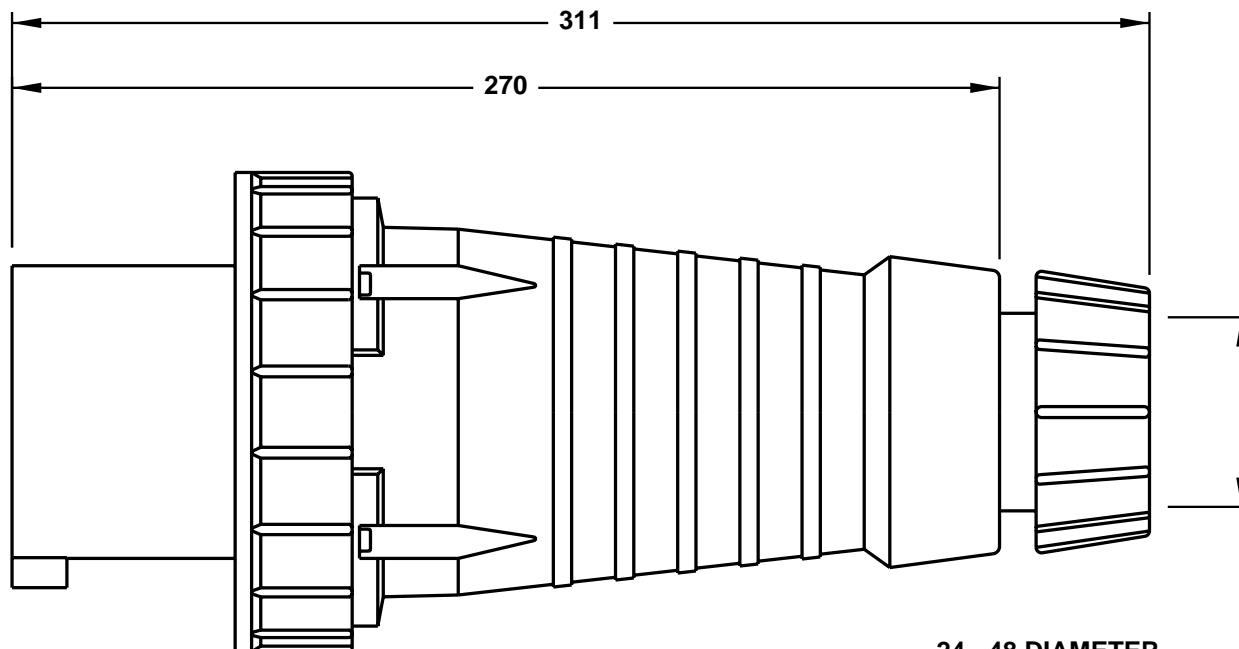
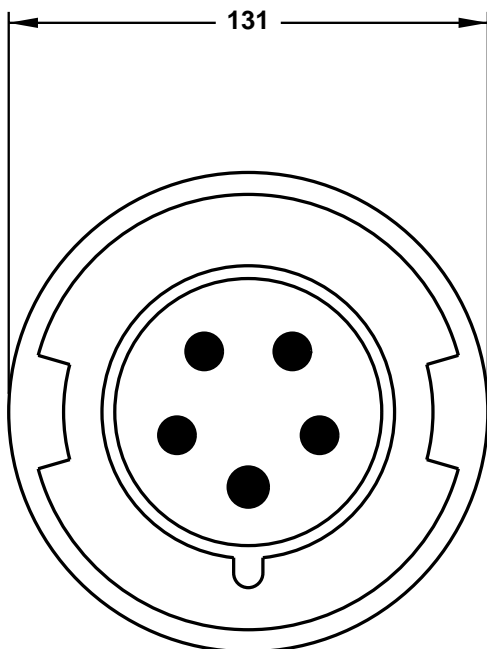
MAXIMUM JACKET O.D. ACCEPTED BY EXTERNAL STRAIN RELIEF = 48 DIA (1.890")
MAXIMUM JACKET O.D. ACCEPTED BY INTERNAL STRAIN RELIEF = 48 DIA (1.890")
MAXIMUM CONDUCTOR SIZE ACCEPTED BY TERMINALS = 120.0 (4/0 AWG)

CORDAGE PREPARATION

CONDUCTOR INSULATION COLOR	CONDUCTOR COLOR CODE	"LENGTH"	"STRIP"
GREEN / YELLOW	GROUND	90	35
BLUE	NEUTRAL	100	35
BROWN	LINE #1	100	35
BLACK	LINE #2	100	35
BLACK	LINE #3	100	35



CORDAGE PREPARATION



**24 - 48 DIAMETER
CORD RANGE**