

CAT. No.
888-231

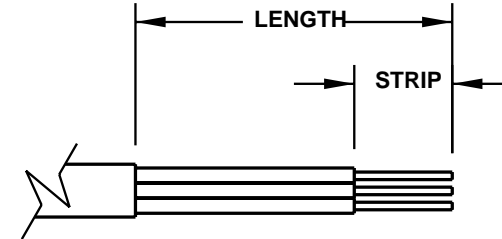
IEC 309 CEE 17 PLUG WITH COMPRESSION TYPE GRIP, RED, 4 POLE 5 WIRE, 30 AMPERE 250 VOLT (UL / CSA);
32 AMPERE 230/400 VOLT 6H (EUROPEAN), 50 / 60 HZ, 3 POLE + NEUTRAL + EARTH
STANDARDS: IEC 309-1, IEC 304-2, BS 4343, DIN 49462/63, VDE 0623, CEE 17, EN 60309

APPROVALS / CERT'S. | CEBC | CSA | DEMKO | FI | IMQ | OVE | SEMKO | SEV | UL CLASSIFIED | VDE

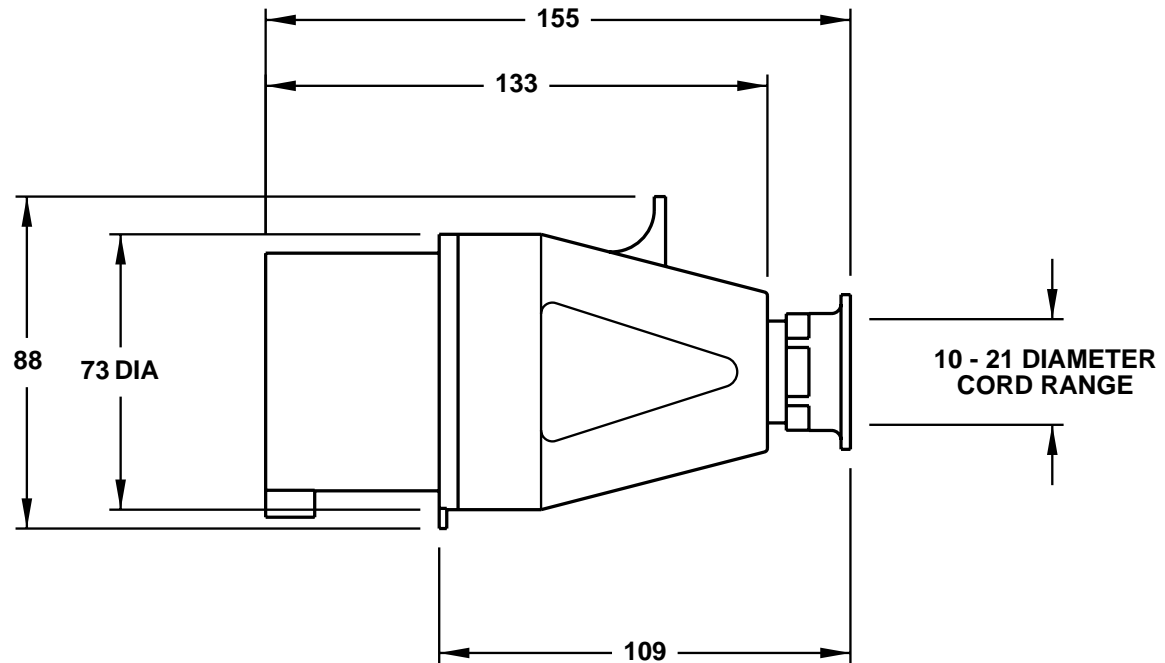
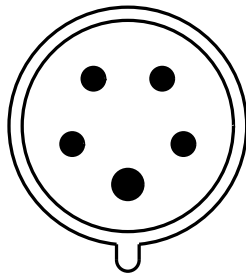
ALL DIMENSIONS ARE IN MILLIMETERS

MAXIMUM JACKET O.D. ACCEPTED BY EXTERNAL STRAIN RELIEF = 21 DIA (0.827")
MAXIMUM JACKET O.D. ACCEPTED BY INTERNAL STRAIN RELIEF = 21 DIA (0.827")
MAXIMUM CONDUCTOR SIZE ACCEPTED BY TERMINALS = 10.0 (8 AWG)

CORDAGE PREPARATION			
<u>CONDUCTOR INSULATION COLOR</u>	<u>CONDUCTOR COLOR CODE</u>	<u>"LENGTH"</u>	<u>"STRIP"</u>
GREEN / YELLOW	GROUND	40	10
BLUE	NEUTRAL	60	10
BROWN	LINE	60	10



CORDAGE PREPARATION



www.InternationalConfig.com
sales@internationalconfig.com