

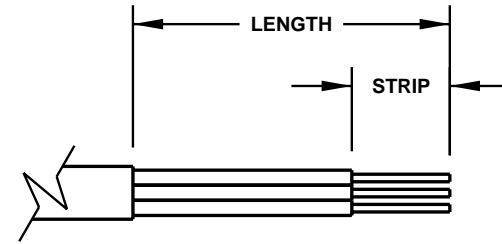
CAT. No.
888-261306

IEC 309 CEE 17 PLUG WITH COMPRESSION TYPE STRAIN RELIEF, SPLASHPROOF, BLUE, 60 AMPERE 250 VOLT (UL/CSA); 63 AMPERE, 220-240 VOLT (EUROPEAN), 50/60HZ , 2 POLE + EARTH
 STANDARDS: IEC 309-1, IEC 304-2, BS 4343, DIN 49462/63, VDE 0623, CEE 17, EN 60309

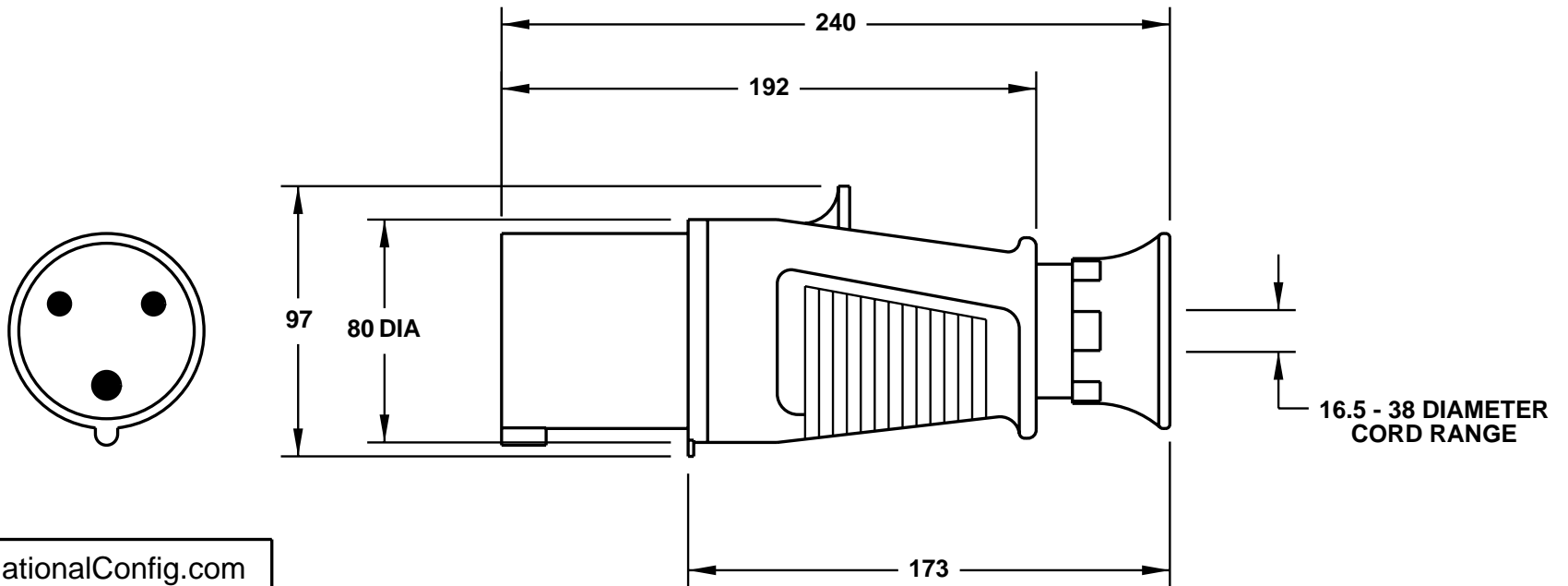
APPROVALS / CERT'S. CSA CZCH SEV UL

ALL DIMENSIONS ARE IN MILLIMETERS

MAXIMUM JACKET O.D. ACCEPTED BY EXTERNAL STRAIN RELIEF = 38 DIA (1.496") MAXIMUM JACKET O.D. ACCEPTED BY INTERNAL STRAIN RELIEF = 38 DIA (1.496") MAXIMUM CONDUCTOR SIZE ACCEPTED BY TERMINALS = 35.0 (2 AWG)			
CORDAGE PREPARATION			
CONDUCTOR INSULATION COLOR	CONDUCTOR COLOR CODE	"LENGTH"	"STRIP"
GREEN / YELLOW	GROUND	50	20
BLUE	NEUTRAL	80	20
BROWN	LINE	80	20



CORDAGE PREPARATION



www.InternationalConfig.com
sales@internationalconfig.com