

CAT. No.

888-31012

IEC 60309 SPLASHPROOF (IP44) CONNECTOR WITH CABLE SLEEVE, 4H, YELLOW COLOR, 30 AMPERE-125 VOLT, (UL/CSA) CE MARK, 2P+E.

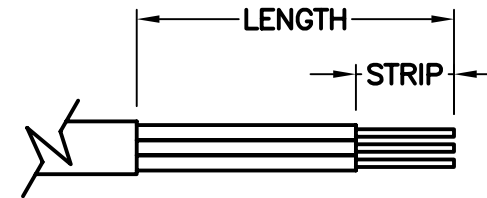
ALL DIMENSIONS ARE IN MILLIMETERS

APPROVALS	CSA <input checked="" type="checkbox"/>	UL <input checked="" type="checkbox"/>
CERTIFICATIONS	CE <input checked="" type="checkbox"/>	ROHS <input checked="" type="checkbox"/>
STANDARDS	IEC 60309 <input checked="" type="checkbox"/>	

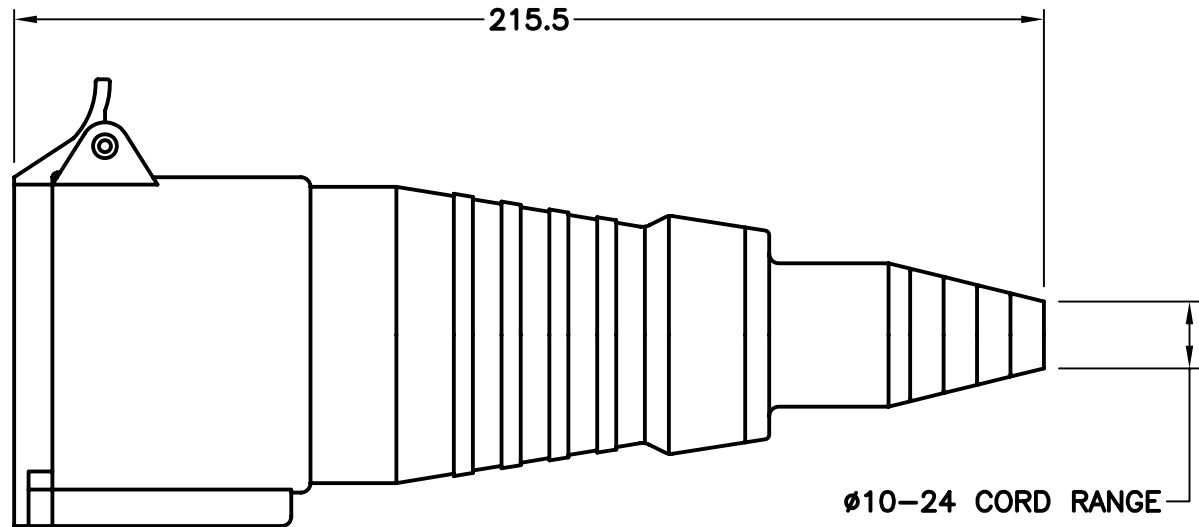
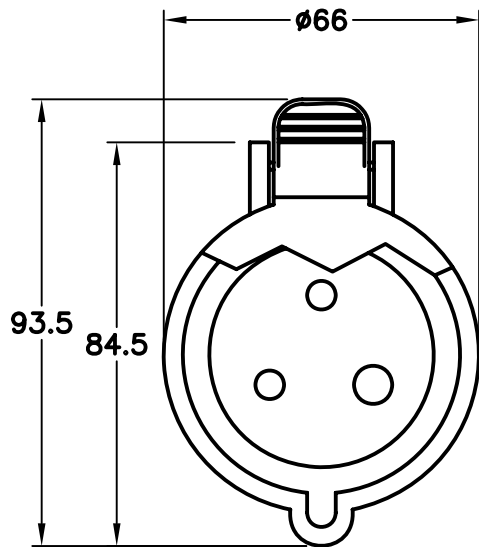
MAXIMUM JACKET O.D. ACCEPTED BY EXTERNAL STRAIN RELIEF = 24 DIA (0.945")  
 MAXIMUM JACKET O.D. ACCEPTED BY INTERNAL STRAIN RELIEF = 24 DIA (0.945")  
 MAXIMUM CONDUCTOR SIZE ACCEPTED BY TERMINALS = 10.0 (8 AWG)

**CORDAGE PREPARATION**

CONDUCTOR INSULATION COLOR	CONDUCTOR COLOR CODE	"LENGTH"	"STRIP"
GREEN/YELLOW	GROUND	40	10
BLUE	NEUTRAL	50	10
BROWN	LINE	50	10



CORDAGE PREPARATION



**IEC 60309. 4H**

NOTE: FOR CLARITY THIS VIEW IS SHOWN WITH LIFT LID BROKEN