

CAT. No.
888-3124

IEC 309 CEE 17 CONNECTOR, WATERTIGHT, RED (4 POLE-5WIRE), 60 AMPERE 250 VOLT (UL/CSA);
63 AMPERE, 6h-230-400 VOLT (EUROPEAN), 50/60HZ , 3 POLE + NEUTRAL + EARTH
STANDARDS: IEC 309-1, IEC 304-2, BS 4343, DIN 49462/63, VDE 0623, CEE 17, EN 60309

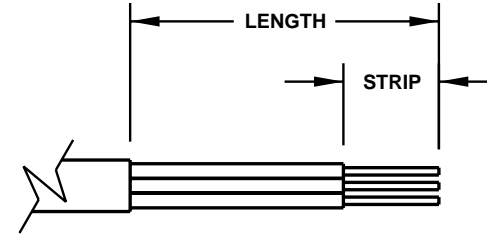
APPROVALS / CERT'S. CSA UL CLASSIFIED VDE

ALL DIMENSIONS ARE IN MILLIMETERS

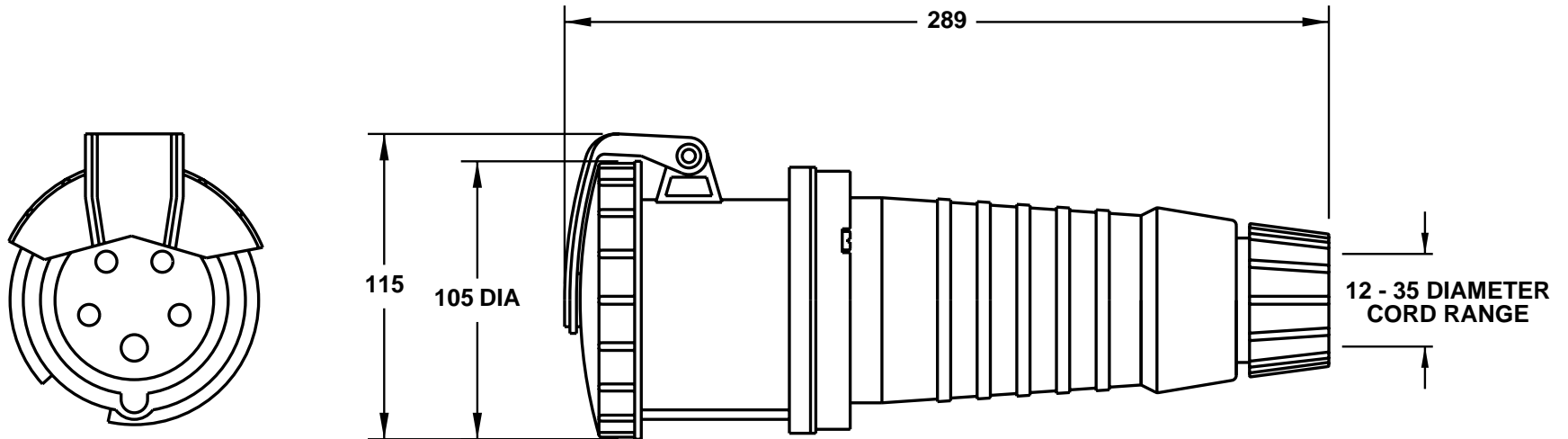
MAXIMUM JACKET O.D. ACCEPTED BY EXTERNAL STRAIN RELIEF = 36 DIA (1.417")
MAXIMUM JACKET O.D. ACCEPTED BY INTERNAL STRAIN RELIEF = 36 DIA (1.417")
MAXIMUM CONDUCTOR SIZE ACCEPTED BY TERMINALS = 35.0 (2 AWG)

CORDAGE PREPARATION

CONDUCTOR INSULATION COLOR	CONDUCTOR COLOR CODE	"LENGTH"	"STRIP"
GREEN / YELLOW	GROUND	65	20
BLUE	NEUTRAL	80	20
BROWN	LINE #1	80	20
BLACK	LINE #2	80	20
BLACK	LINE #3	80	20



CORDAGE PREPARATION



NOTE: FOR CLARITY THIS VIEW IS SHOWN WITH LIFT LID BROKEN