

CAT. No.

888-3138

STANDARDS: IEC 309-1, IEC 304-2, BS 4343, DIN 49462/63, VDE 0623, CEE 17, EN 60309

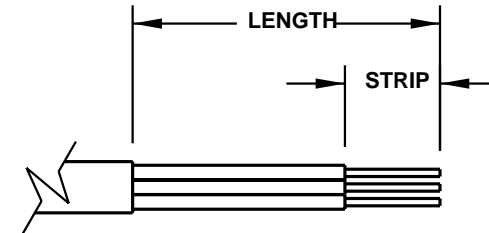
APPROVALS / CERT'S. CSA UL VDE

ALL DIMENSIONS ARE IN MILLIMETERS

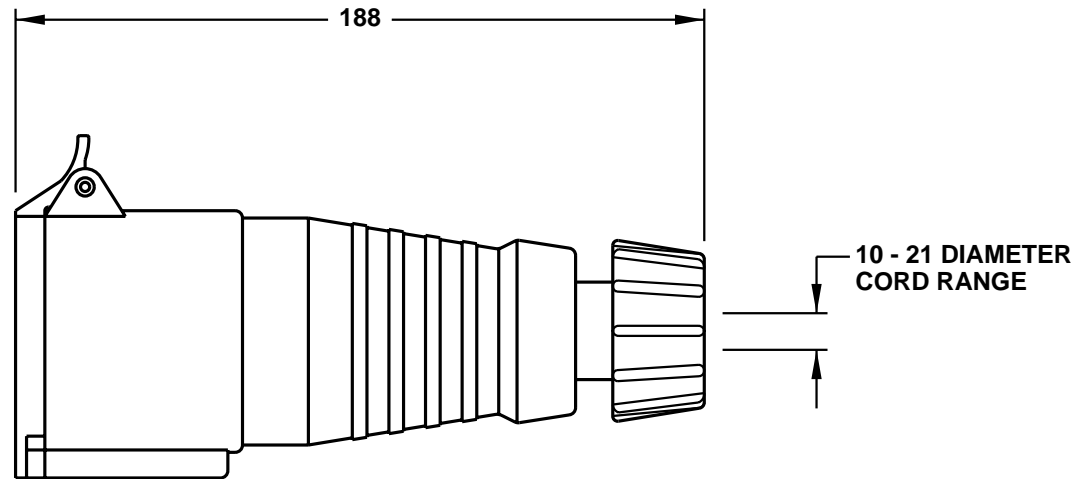
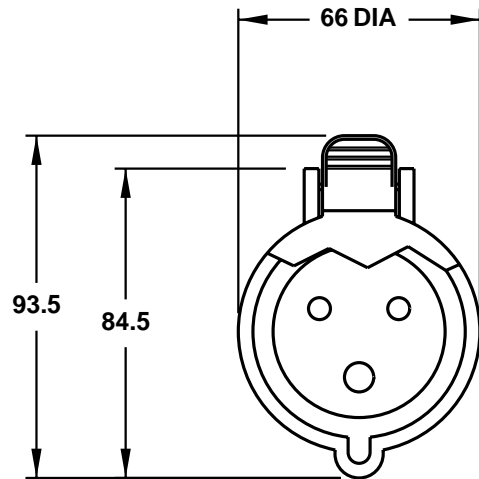
MAXIMUM JACKET O.D. ACCEPTED BY EXTERNAL STRAIN RELIEF = 21 DIA (0.827")
MAXIMUM JACKET O.D. ACCEPTED BY INTERNAL STRAIN RELIEF = 21 DIA (0.827")
MAXIMUM CONDUCTOR SIZE ACCEPTED BY TERMINALS = 10.0 (8 AWG)

CORDAGE PREPARATION

CONDUCTOR INSULATION COLOR	CONDUCTOR COLOR CODE	"LENGTH"	"STRIP"
GREEN / YELLOW	GROUND	40	10
BLUE	NEUTRAL	50	10
BROWN	LINE	50	10



CORDAGE PREPARATION



NOTE: FOR CLARITY THIS VIEW IS SHOWN WITH LIFT LID BROKEN