

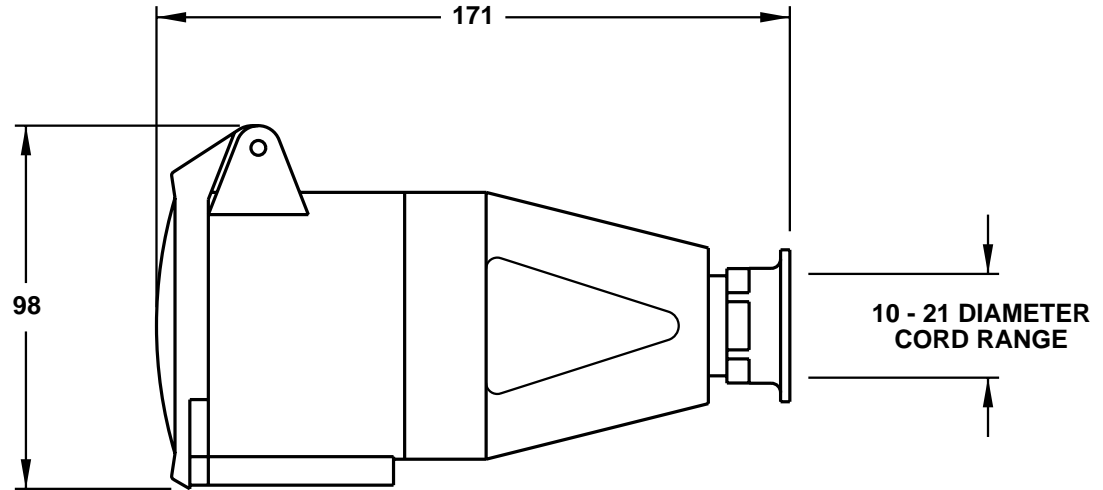
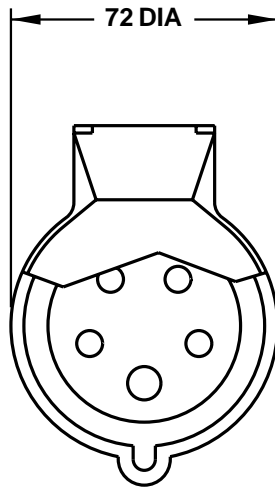
CAT. No.

**888-331**

STANDARDS: IEC 309-1, IEC 304-2, BS 4343, DIN 49462/63, VDE 0623, CEE 17, EN 60309

APPROVALS / CERT'S.  CEBC  CSA  DEMKO  FI  IMQ  OVE  SEMKO  SEV  UL CLASSIFIED  VDE

**ALL DIMENSIONS ARE IN MILLIMETERS**



NOTE: FOR CLARITY THIS VIEW IS  
SHOWN WITH LIFT LID BROKEN