

CAT. No.
888-360306

IEC 309 CEE 17 CONNECTOR WITH CABLE SLEEVE, SPLASHPROOF, BLUE, 60 AMPERE 250 VOLT (UL/CSA);
63 AMPERE, 220-240 VOLT (EUROPEAN), 50/60HZ , 2 POLE + EARTH
STANDARDS: IEC 309-1, IEC 304-2, BS 4343, DIN 49462/63, VDE 0623, CEE 17, EN 60309

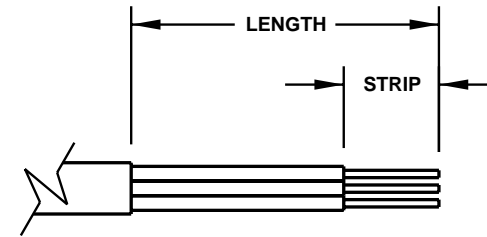
APPROVALS / CERT'S. CE CSA CZCH OVE SEV UL

ALL DIMENSIONS ARE IN MILLIMETERS

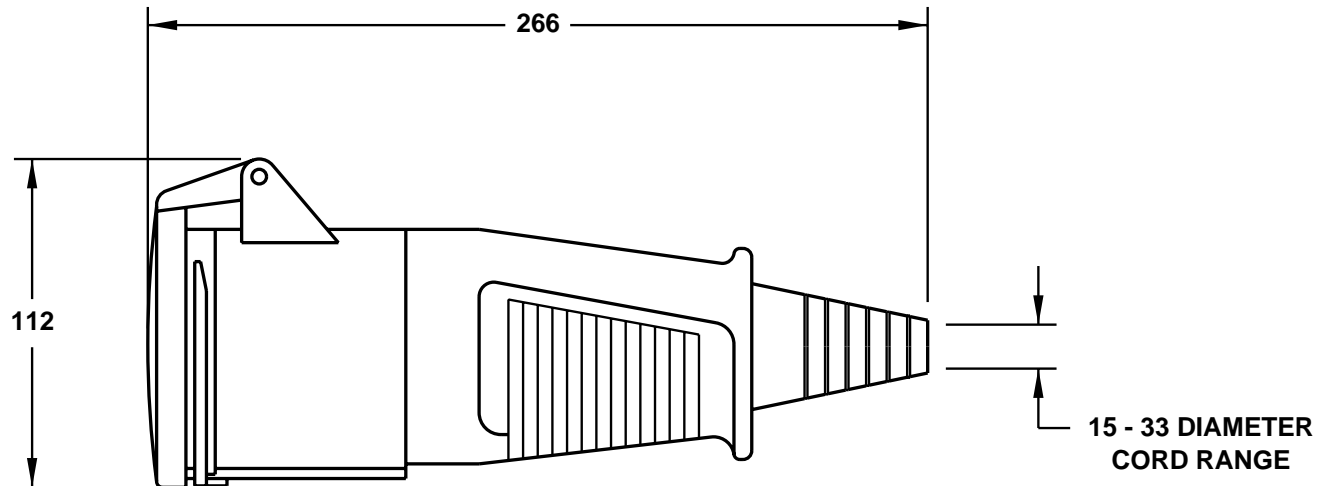
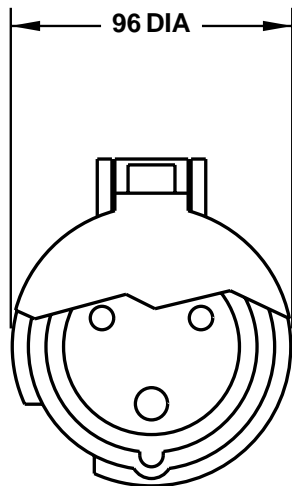
MAXIMUM JACKET O.D. ACCEPTED BY EXTERNAL STRAIN RELIEF = 33 DIA (1.299")
MAXIMUM JACKET O.D. ACCEPTED BY INTERNAL STRAIN RELIEF = 33 DIA (1.299")
MAXIMUM CONDUCTOR SIZE ACCEPTED BY TERMINALS = 35.0 (2 AWG)

CORDAGE PREPARATION

CONDUCTOR INSULATION COLOR	CONDUCTOR COLOR CODE	"LENGTH"	"STRIP"
GREEN / YELLOW	GROUND	50	20
BLUE	NEUTRAL	80	20
BROWN	LINE	80	20



CORDAGE PREPARATION



NOTE: FOR CLARITY THIS VIEW IS SHOWN WITH LIFT LID REMOVED