

CAT. No.
888-361306

IEC 309 CEE 17 CONNECTOR WITH COMPRESSION TYPE STRAIN RELIEF, SPLASHPROOF, BLUE,
60 AMPERE 250 VOLT (UL/CSA); 63 AMPERE, 220-240 VOLT (EUROPEAN), 50/60HZ , 2 POLE + EARTH
STANDARDS: IEC 309-1, IEC 304-2, BS 4343, DIN 49462/63, VDE 0623, CEE 17, EN 60309

APPROVALS / CERT'S.

CSA

CZCH

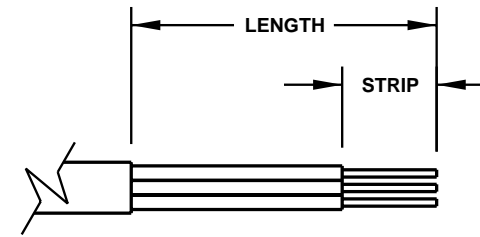
UL

ALL DIMENSIONS ARE IN MILLIMETERS

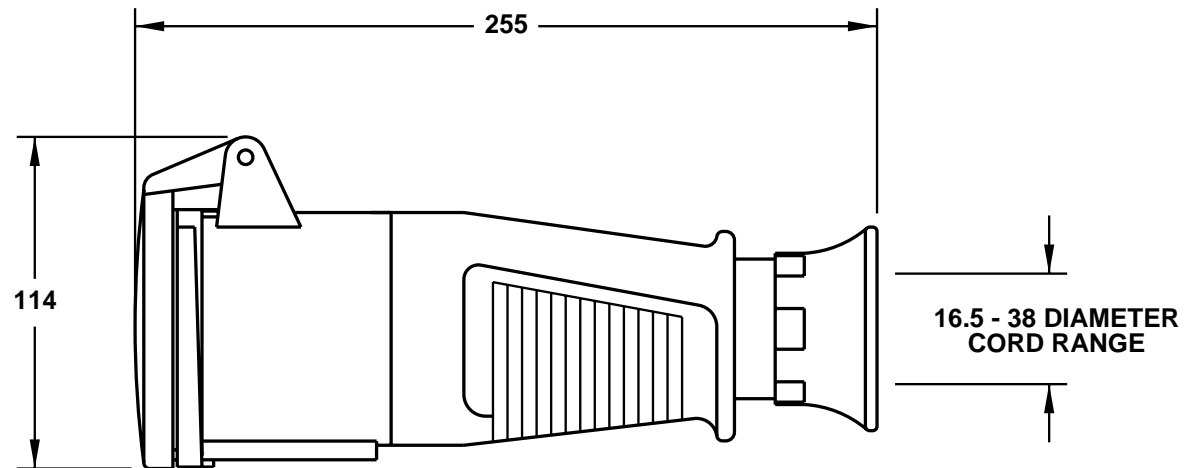
MAXIMUM JACKET O.D. ACCEPTED BY EXTERNAL STRAIN RELIEF = 38 DIA (1.496")
MAXIMUM JACKET O.D. ACCEPTED BY INTERNAL STRAIN RELIEF = 38 DIA (1.496")
MAXIMUM CONDUCTOR SIZE ACCEPTED BY TERMINALS = 35.0 (2 AWG)

CORDAGE PREPARATION

CONDUCTOR INSULATION COLOR	CONDUCTOR COLOR CODE	"LENGTH"	"STRIP"
GREEN / YELLOW	GROUND	50	20
BLUE	NEUTRAL	80	20
BROWN	LINE	80	20



CORDAGE PREPARATION



NOTE: FOR CLARITY THIS VIEW IS
SHOWN WITH LIFT LID REMOVED