

CAT. No.

**888-460306**

STANDARDS: IEC 309-1, IEC 304-2, BS 4343, DIN 49462/63, VDE 0623, CEE 17, EN 60309

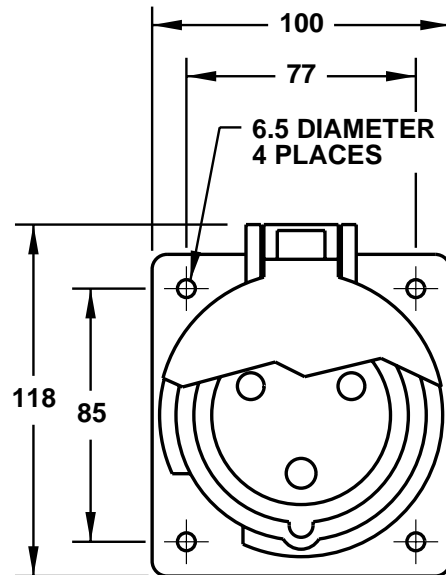
APPROVALS / CERT'S.

CSA

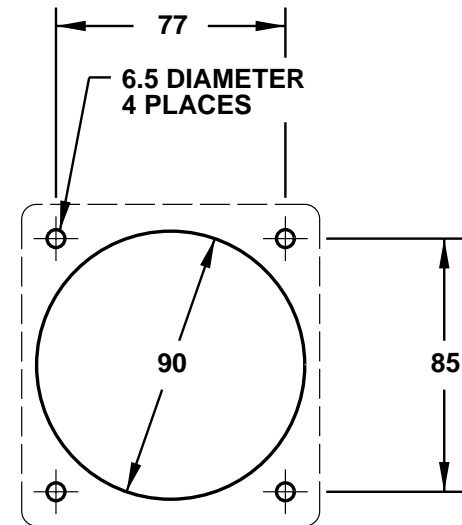
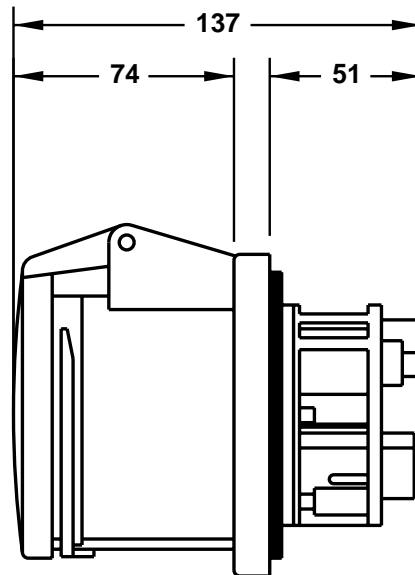
CZCH

UL

ALL DIMENSIONS ARE IN MILLIMETERS



NOTE: FOR CLARITY THIS VIEW IS SHOWN WITH LIFT LID REMOVED



PANEL CUTOUT