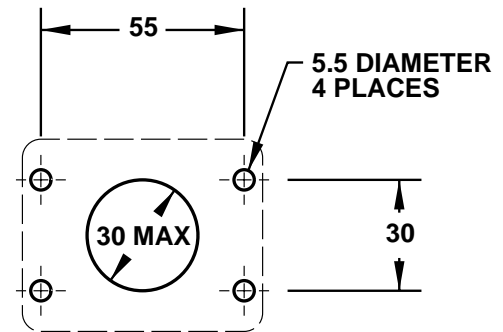
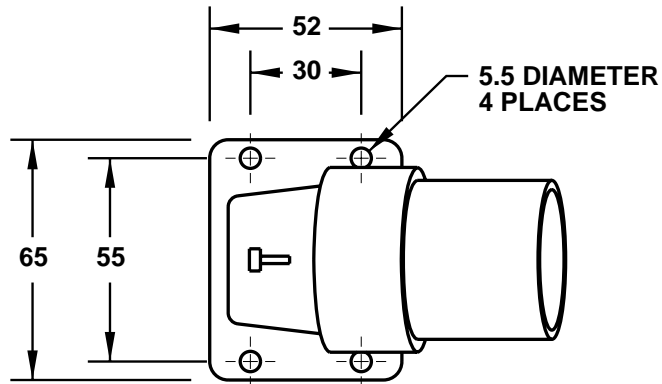


CAT. No.
888-611306

IEC 309 CEE 17 INLET ANGLE PANEL MOUNT, BLUE, 20 AMPERE 250 VOLT (UL/CSA);
16 AMPERE 220/240 VOLT (EUROPEAN), 50/60 HZ, 2 POLE + EARTH
STANDARDS: IEC 309-1, IEC 304-2, BS 4343, DIN 49462/63, VDE 0623, CEE 17, EN 60309

APPROVALS / CERT'S. CSA FI IMQ OVE SEMKO SEV UL VDE

ALL DIMENSIONS ARE IN MILLIMETERS



PANEL CUTOUT

