

CAT. No.

888-661306

IEC 309 CEE 17 INLET, PANEL MOUNT ANGLE TYPE, SPLASHPROOF, BLUE, 60 AMPERE 250 VOLT (UL/CSA);
63 AMPERE, 220-240 VOLT (EUROPEAN), 50/60HZ, 2 POLE + EARTH
STANDARDS: IEC 309-1, IEC 304-2, BS 4343, DIN 49462/63, VDE 0623, CEE 17, EN 60309

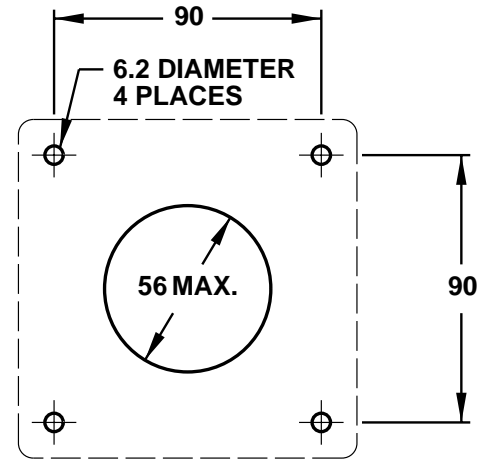
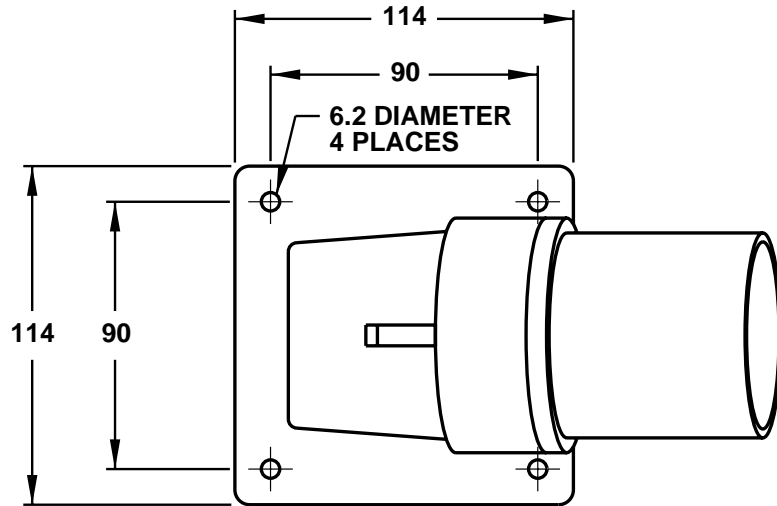
APPROVALS / CERT'S.

CSA

CZCH

UL

ALL DIMENSIONS ARE IN MILLIMETERS



PANEL CUTOUT

