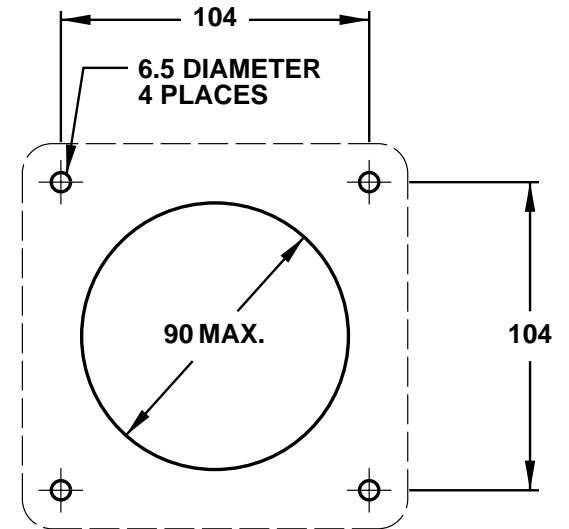
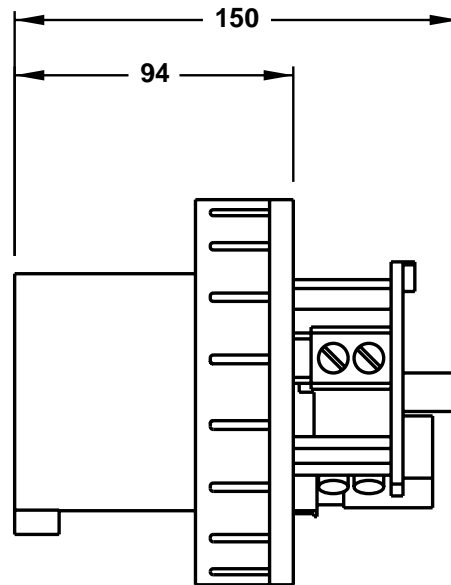
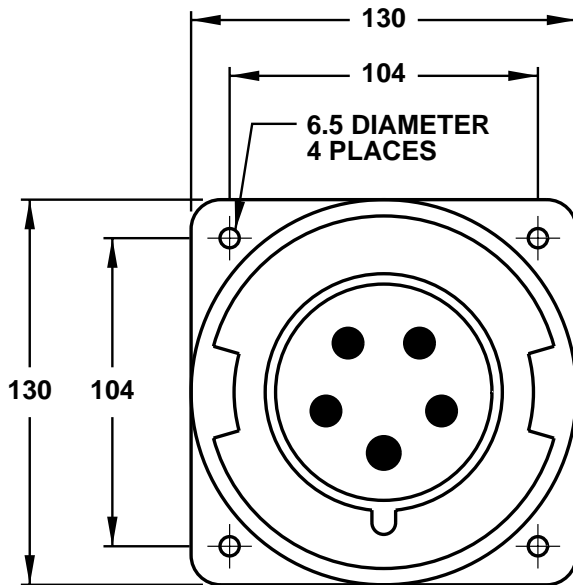


CAT. No.
888-679

IEC 309 CEE 17 INLET, WATERTIGHT, RED (4 POLE 5WIRE), 100 AMPERE 250 VOLT (UL/CSA);
125 AMPERE, 6h-230-400 VOLT (EUROPEAN), 50/60HZ , 3 POLE + NEUTRAL + EARTH
STANDARDS: IEC 309-1, IEC 304-2, BS 4343, DIN 49462/63, VDE 0623, CEE 17, EN 60309

APPROVALS / CERT'S. FI SEV UL CLASSIFIED VDE

ALL DIMENSIONS ARE IN MILLIMETERS



PANEL CUTOUT