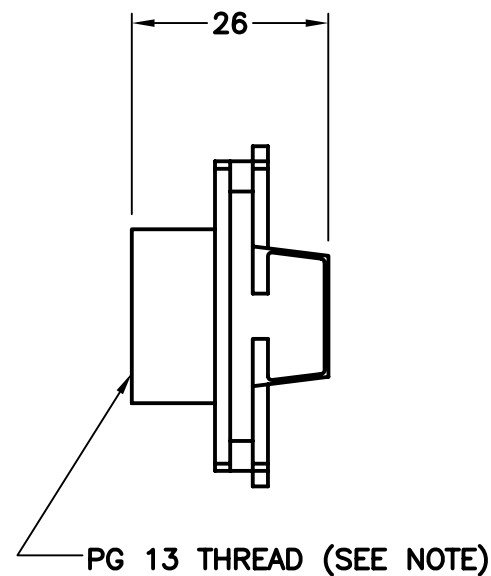
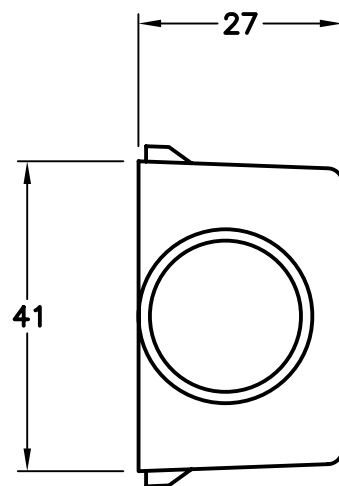


CAT. No.

91696x45

20 mm (PG 13.5) THREADED ENTRY GLAND (WALL BOX ADAPTER) FOR USE WITH 45 mm MODULAR WEATHERPROOF SURFACE WALL BOXES #91751x45, #91772x45, #91781x45

ALL DIMENSIONS ARE IN MILLIMETERS



NOTE:

TO CONVERT PG13 THREAD
TO $\frac{1}{2}$ " NATIONAL PIPE THREAD (NPT) USE
ADAPTER #01613