

CAT. No.

91772x45

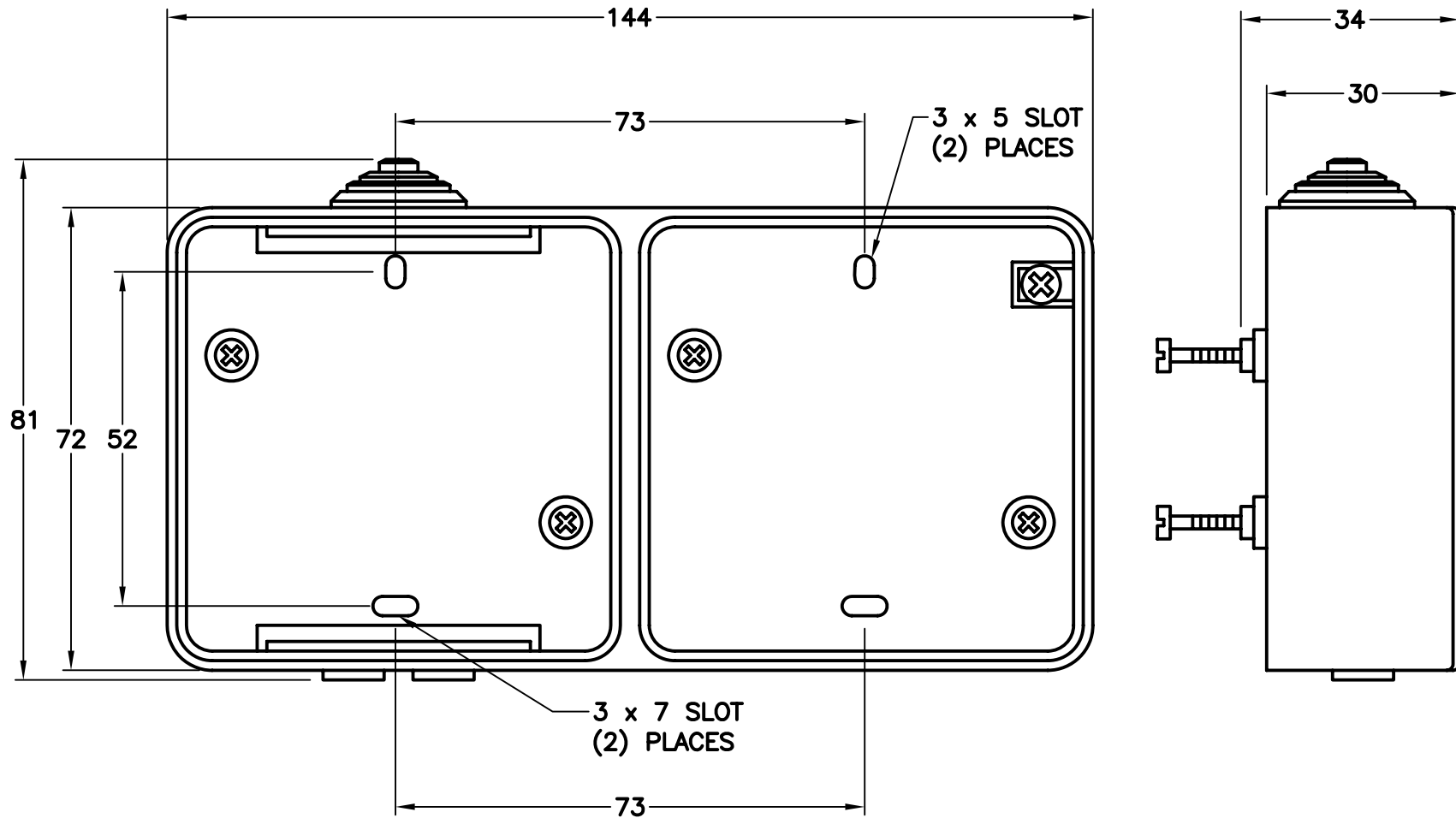
TWO GANG SURFACE MOUNT BOX. IP 55 RATED. POLYCARBONATE/POLYPROPYLENE. LIGHT GRAY. ACCEPTS TWO #91730x45 COVERS. "CE" MARK.

APPROVALS

KEMA CEBC

CERTIFICATIONS

CE ROHS



International Configurations, Inc. P.O. Box 3374 Enfield, Connecticut 06083 TEL (860)749-6380 FAX (860)749-2985

www.InternationalConfig.com

sales@internationalconfig.com