

CAT. No.

98226-Y72

(Y) "UNIVERSAL APPROVED" TYPE "SPLITTER" CORD. IEC 60320 C-14 PLUG AND TWO IEC 60320 C-13 CONNECTORS. 10 AMPERE 250 VOLTS, 17/3 AWG CORDAGE, SJTO, 105°C, H05VV-F BLACK, OVERALL LENGTH 72 INCHES LONG, (48 IN. LENGTH TO "Y" AND EACH IEC 60320, C-13 LEG 24 IN. LONG).

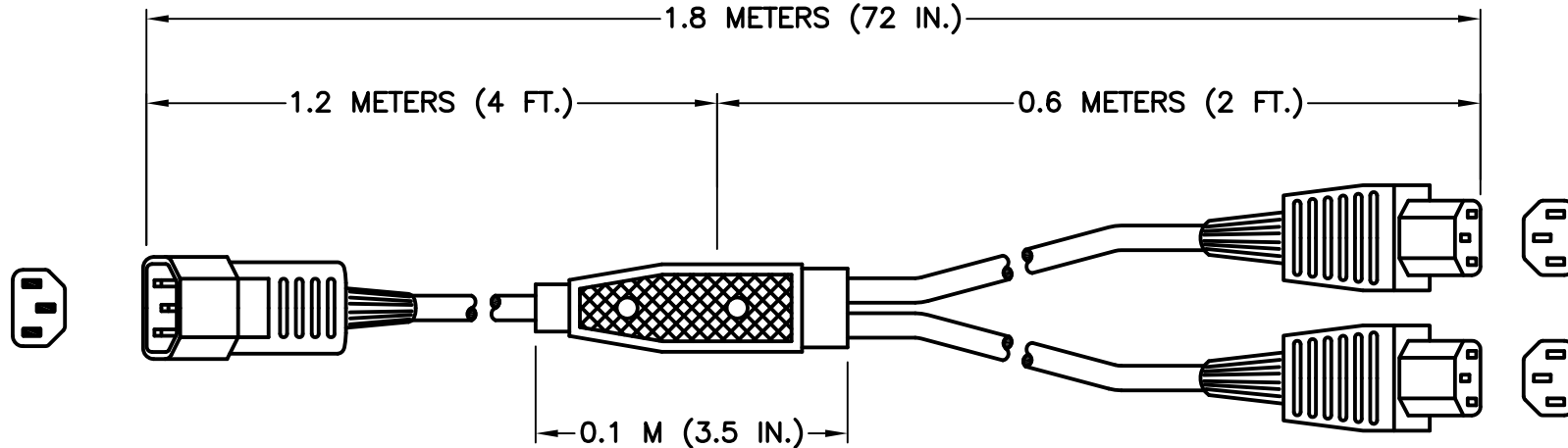
APPROVALS	UL <input checked="" type="checkbox"/> CSA <input checked="" type="checkbox"/> VDE <input checked="" type="checkbox"/> SEMKO <input checked="" type="checkbox"/> NEMKO <input checked="" type="checkbox"/> IMQ <input checked="" type="checkbox"/> DEMKO <input checked="" type="checkbox"/> FIMKO <input checked="" type="checkbox"/> SEV <input checked="" type="checkbox"/>
CERTIFICATIONS	REACH <input checked="" type="checkbox"/> ROHS <input checked="" type="checkbox"/> ROHS2 <input checked="" type="checkbox"/>
STANDARDS	IEC 60320 <input checked="" type="checkbox"/> C-14 <input checked="" type="checkbox"/> C-13 <input checked="" type="checkbox"/> H05VV-F <input checked="" type="checkbox"/> SJTO <input checked="" type="checkbox"/>

SPECIFICATIONS:

1. OVERALL LENGTH: 1.8 METERS (72 INCHES)
2. CONDUCTORS: 1.0 mm<sup>2</sup> x 3 (17 AWG x 3)
3. JACKET: H05VV-F (SJTO), 105°C, BLACK
4. PLUG: IEC 60320 C-14, STRAIGHT, BLACK
5. CONNECTOR: IEC 60320 C-13, STRAIGHT, BLACK (X2)
6. RATED: 10 AMPERE 250 VOLT
7. CABLE DIAMETER (APPROX.): 8.0 mm
8. GENERAL MATERIAL: PVC

RELATED POWER CORDS

CATALOG No	DESCRIPTION	OVERALL LENGTH
98226-Y18	10 AMP	0.46 METERS (18 INCHES)
98226-Y72	10 AMP	1.8 METERS (72 INCHES)
98226-Y	10 AMP	2.44 METERS (8 FEET)
98625-Y	15 AMP	2.44 METERS (8 FEET)
98625-Y120	15 AMP	3.05 METERS (10 FEET)
98625-Y180	15 AMP	4.6 METERS (15 FEET)



IEC 60320, C-14

IEC 60320, C-13