

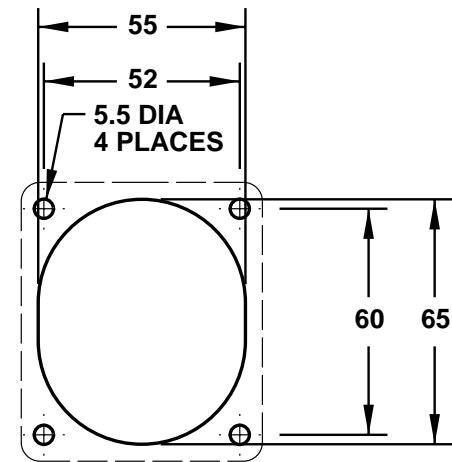
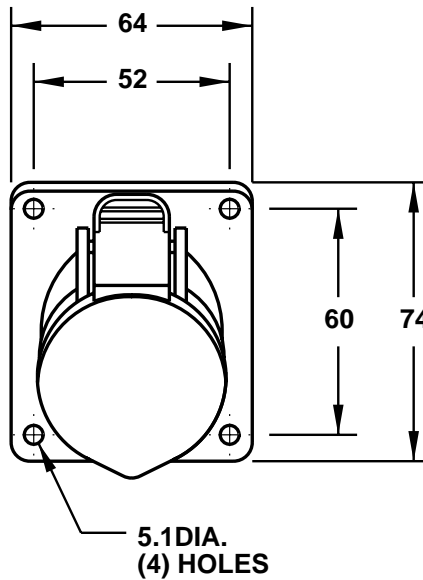
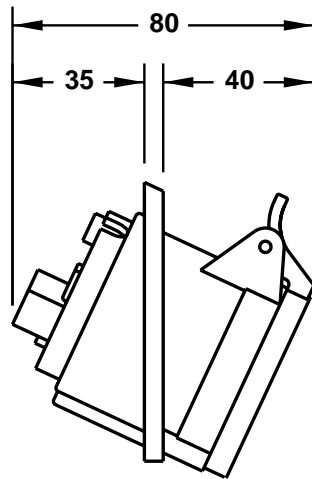
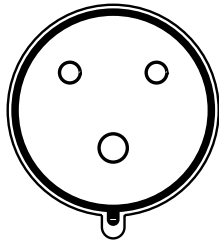
CAT. No.
999-1217

IEC 309 CEE 17 OUTLET, PANEL MOUNT, BLUE, 16 AMPERE 220 / 240 VOLT, 50 / 60 HERTZ , 2 POLE + EARTH
STANDARDS: IEC 309, BS 4343, DIN 49462/63, VDE 0623

APPROVALS / CERT'S.

VDE

ALL DIMENSIONS ARE IN MILLIMETERS



PANEL CUTOUT