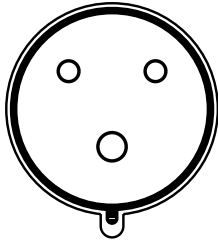


CAT. No.
999-1229

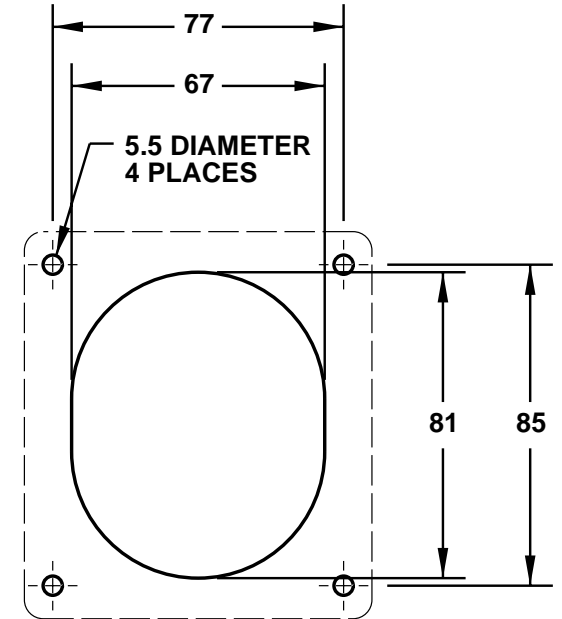
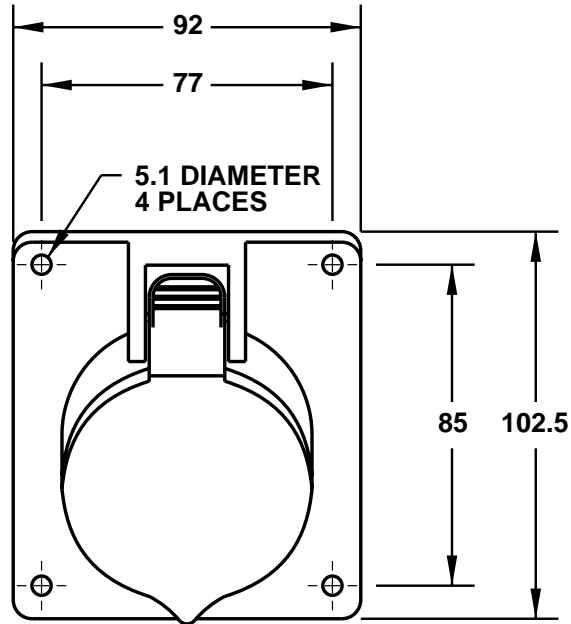
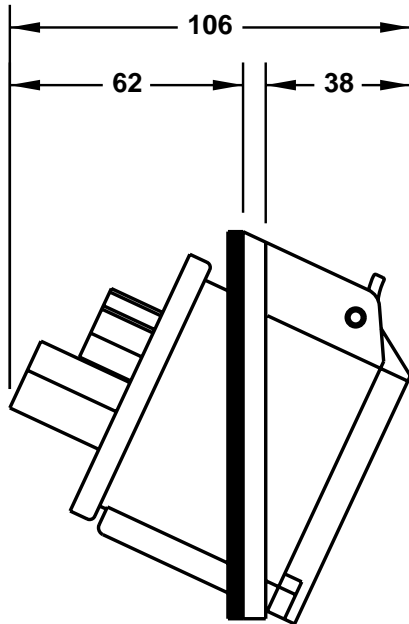
IEC 309 CEE 17 OUTLET, PANEL MOUNT, ANGLE TYPE, BLUE, 32 AMPERE 220 / 240V, 50 / 60 HZ, 2 POLE + EARTH
STANDARDS: IEC 309, BS 4343, DIN 49462/63, VDE 0623

APPROVALS / CERT'S.

VDE



ALL DIMENSIONS ARE IN MILLIMETERS



PANEL CUTOUT