

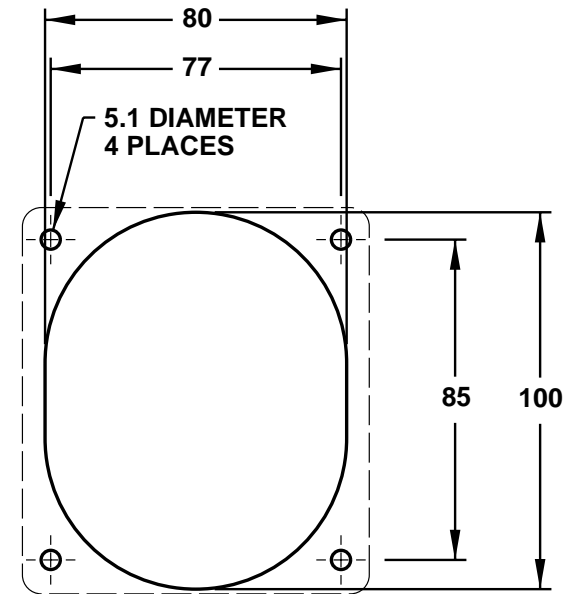
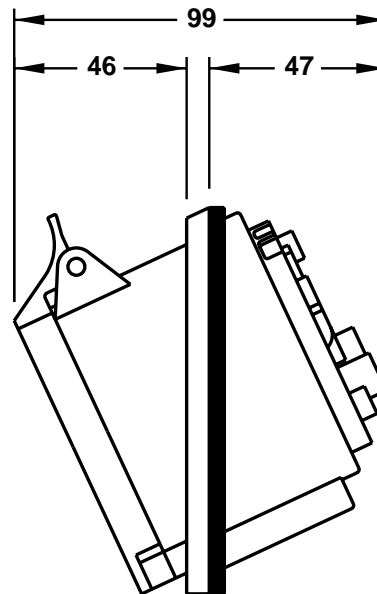
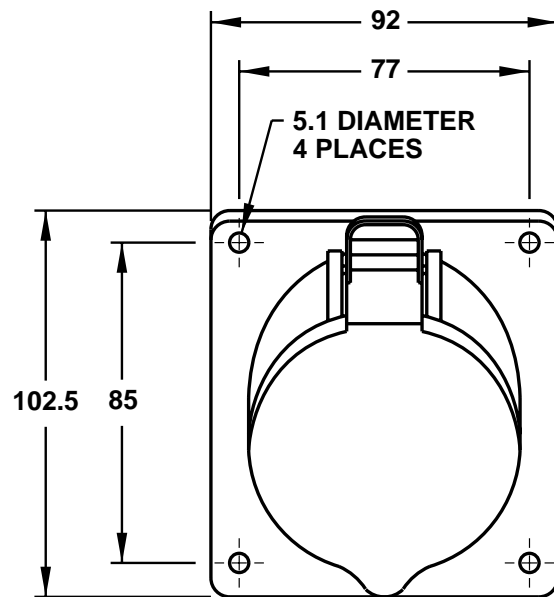
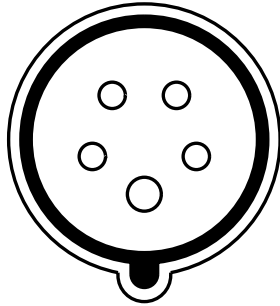
CAT. No.  
**999-1239**

IEC 309 CEE 17 OUTLET, PANEL MOUNT, ANGLE TYPE, RED, 4 POLE 5 WIRE, 32 AMPERE 220/380-240/415 VOLT,  
50/60 HZ, 3 POLE + NEUTRAL + EARTH  
STANDARDS: IEC 309-1, IEC 304-2, BS 4343, DIN 49462/63, VDE 0623, CEE 17, EN 60309

APPROVALS / CERT'S.

VDE

ALL DIMENSIONS ARE IN MILLIMETERS



PANEL CUTOUT