

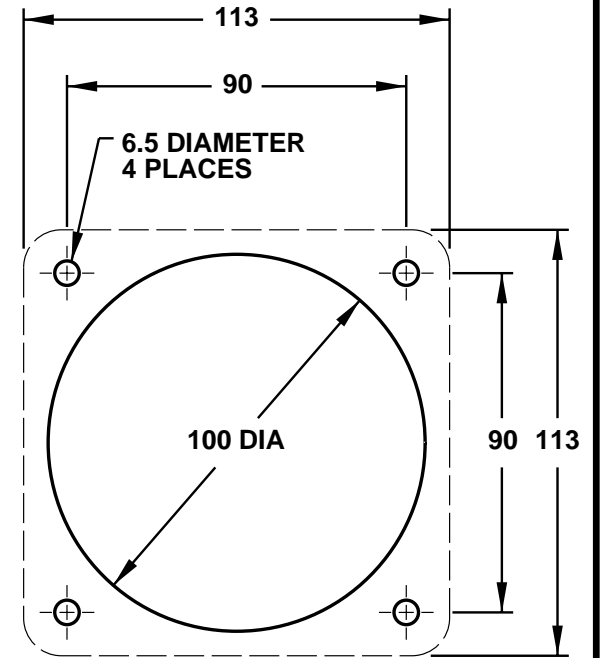
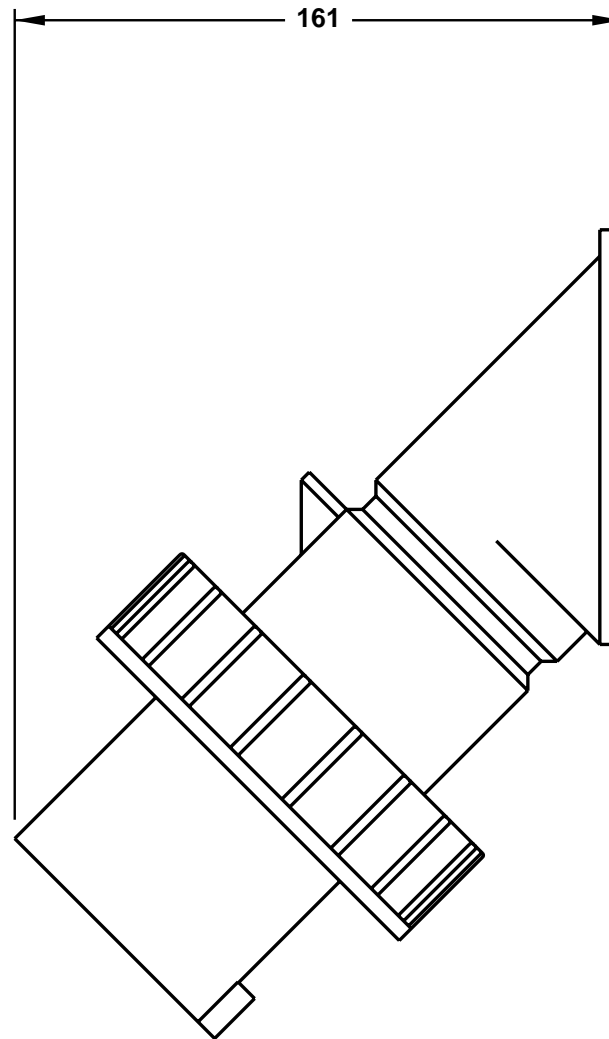
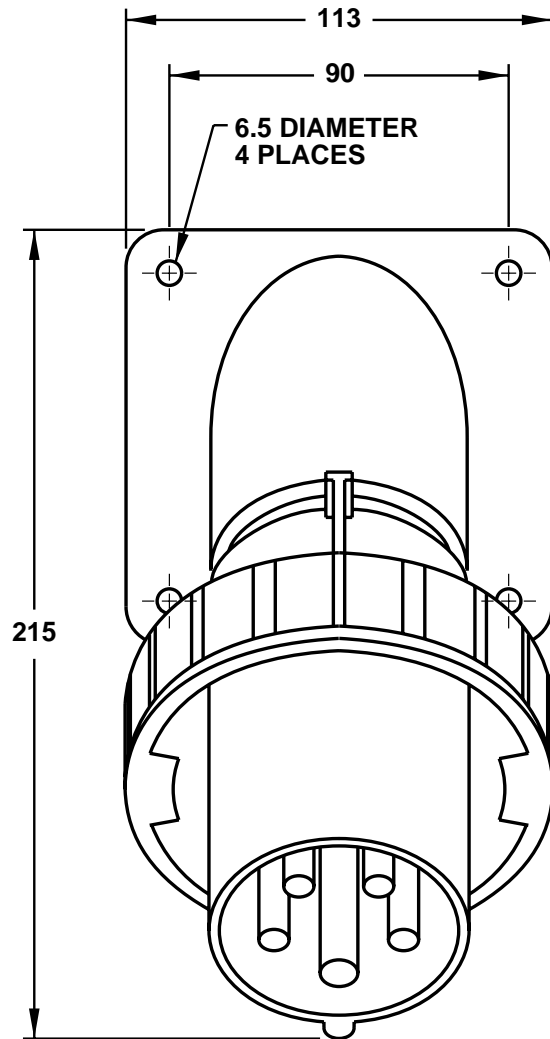
CAT. No.
999-27017

IEC 309 CEE 17 INLET, WATERTIGHT, PANEL MOUNT, RED, 63 AMPERE, 220/380-240/415 VOLT, 50/60HZ ,
3 POLE + NEUTRAL + EARTH
STANDARDS: IEC 309, BS 4343, DIN 49462/63, VDE 0623

APPROVALS / CERT'S.

VDE

ALL DIMENSIONS ARE IN MILLIMETERS



PANEL CUTOUT