

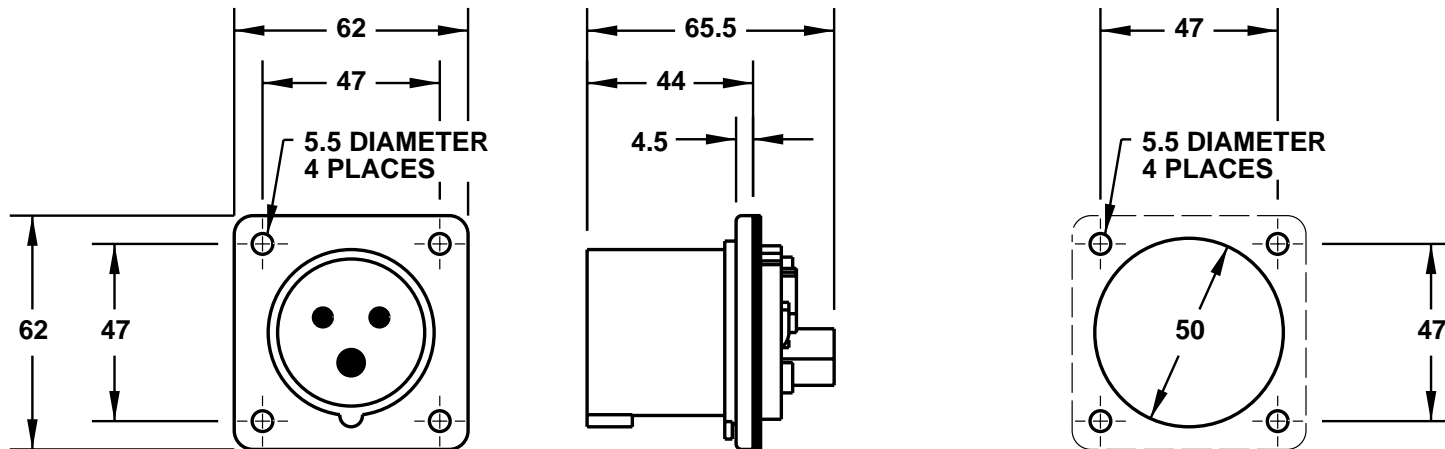
CAT. No.  
**999-6136**

IEC 309 CEE 17 INLET, STRAIGHT PANEL MOUNT, BLUE, 16 AMPERE 220 / 240 VOLT, 50 / 60 HZ , 2 POLE + EARTH  
STANDARDS: IEC 309, BS 4343, DIN 49462/63, VDE 0623

APPROVALS / CERT'S.

VDE

**ALL DIMENSIONS ARE IN MILLIMETERS**



**PANEL CUTOUT**

[www.InternationalConfig.com](http://www.InternationalConfig.com)  
[sales@internationalconfig.com](mailto:sales@internationalconfig.com)