

CAT. No.

999-71329-A

IEC 60309 INLET, WATERTIGHT, PANEL MOUNT DOWN ANGLE, RED, 16A 380/415V, 50/60HZ, 2P+E

APPROVALS

VDE

CERTIFICATIONS

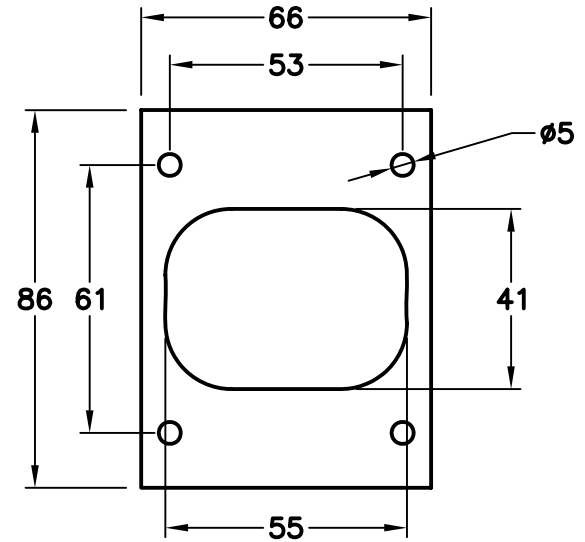
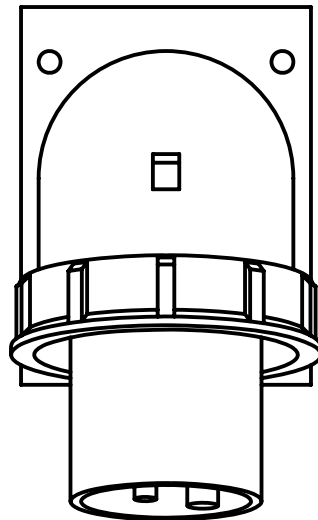
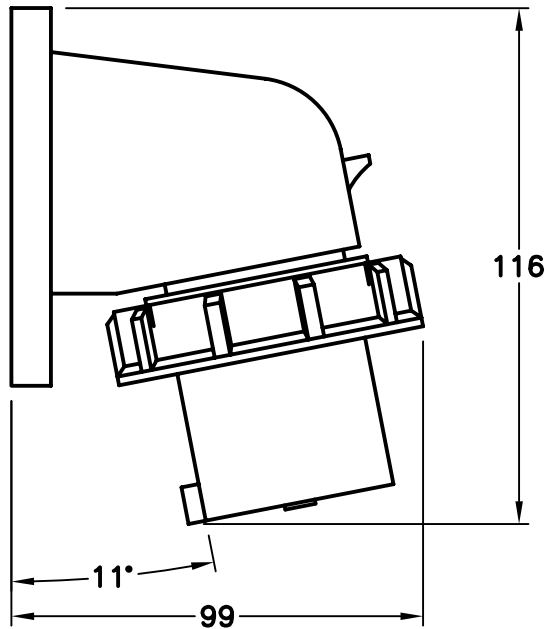
CE

ROHS

STANDARDS

IEC 60309

ALL DIMENSIONS ARE IN MILLIMETERS



MOUNTING DIMENSIONS

